

Project UNC Airport Road/Chem Site Well MW-34
 Town/City Chapel Hill
 County Orange State NC
 Permit No. _____

Land-Surface Elevation and Datum:
 _____ feet Surveyed
 Estimated

Installation Date(s) 7/6/04
 Drilling Method air hammer
 Drilling Contractor Geologic Exploration
 Drilling Fluid air

Development Technique(s) and Date(s)
air and disposable bailer

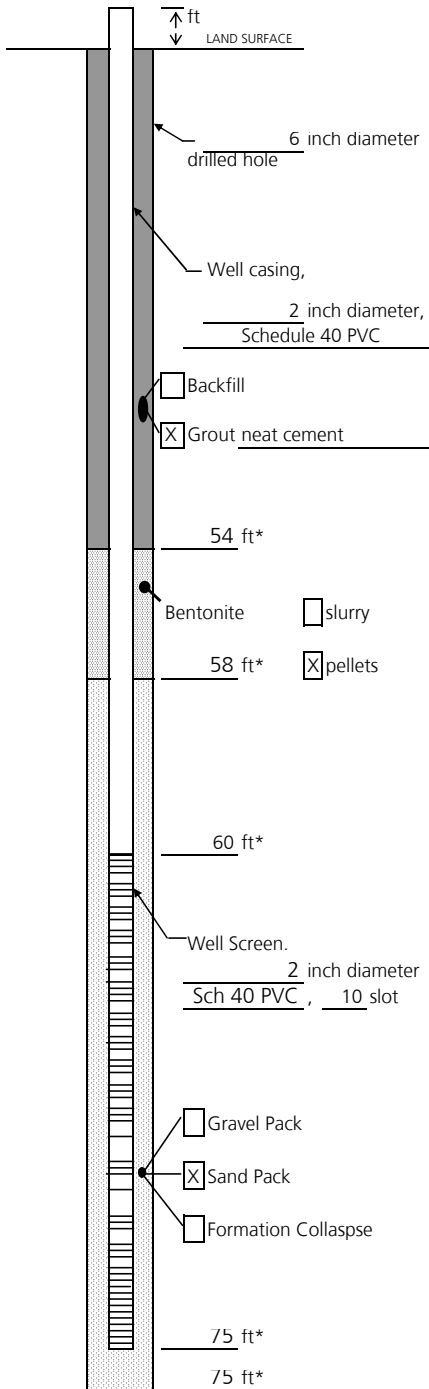
Fluid Loss During Drilling _____ gallons
 Water Removed During Development _____ gallons
 Static Depth to Water _____ feet below M.P.
 Pumping Depth to Water _____ feet below M.P.
 Pumping Duration _____ hours
 Yield _____ gpm Date _____
 Specific Capacity _____ gpm/ft

Well Purpose monitor well

 Remarks _____

Measuring Point is
 Top of Well Casing
 Unless Otherwise Noted.
 * Depth Below Land Surface

Prepared by Jason Namey



Project UNC Airport Road/Chem Site Well MW-35
 Town/City Chapel Hill
 County Orange State NC
 Permit No. _____

Land-Surface Elevation and Datum:
 _____ feet Surveyed
 Estimated

Installation Date(s) 7/6/04

Drilling Method air hammer

Drilling Contractor Geologic Exploration

Drilling Fluid air

Development Technique(s) and Date(s)

air and disposable bailer

Fluid Loss During Drilling _____ gallons

Water Removed During Development _____ gallons

Static Depth to Water _____ feet below M.P.

Pumping Depth to Water _____ feet below M.P.

Pumping Duration _____ hours

Yield _____ gpm Date _____

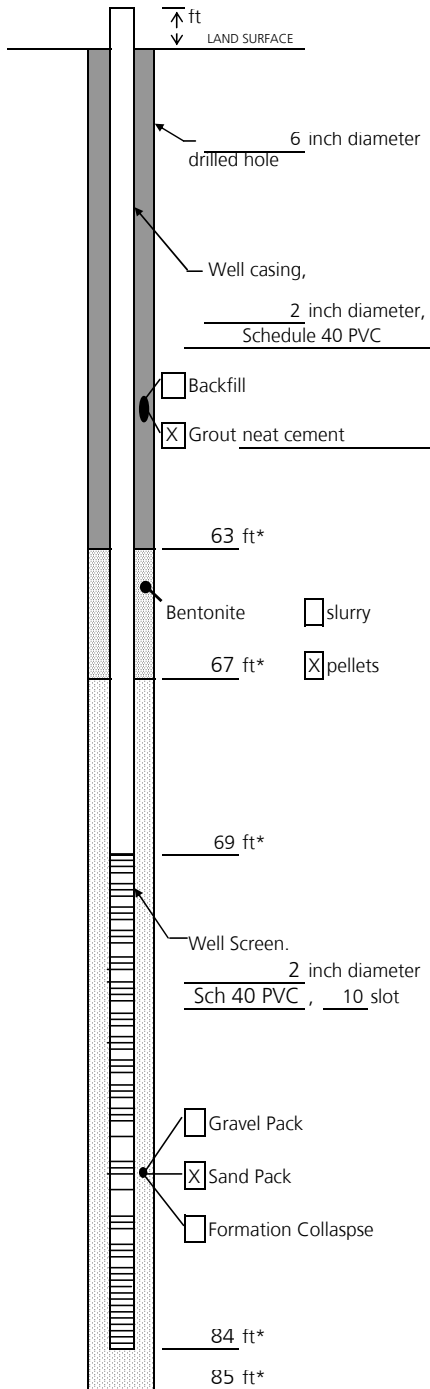
Specific Capacity _____ gpm/ft

Well Purpose monitor well

Remarks _____

Measuring Point is
 Top of Well Casing
 Unless Otherwise Noted.
 * Depth Below Land Surface

Prepared by Jason Namey



Project UNC Airport Road/Chem Site Well MW-36
 Town/City Chapel Hill
 County Orange State NC
 Permit No. _____

Land-Surface Elevation and Datum:
 _____ feet Surveyed
 Estimated

Installation Date(s) 7/7/04

Drilling Method air hammer

Drilling Contractor Geologic Exploration

Drilling Fluid air

Development Technique(s) and Date(s)

air and disposable bailer

Fluid Loss During Drilling _____ gallons

Water Removed During Development _____ gallons

Static Depth to Water _____ feet below M.P.

Pumping Depth to Water _____ feet below M.P.

Pumping Duration _____ hours

Yield _____ gpm Date _____

Specific Capacity _____ gpm/ft

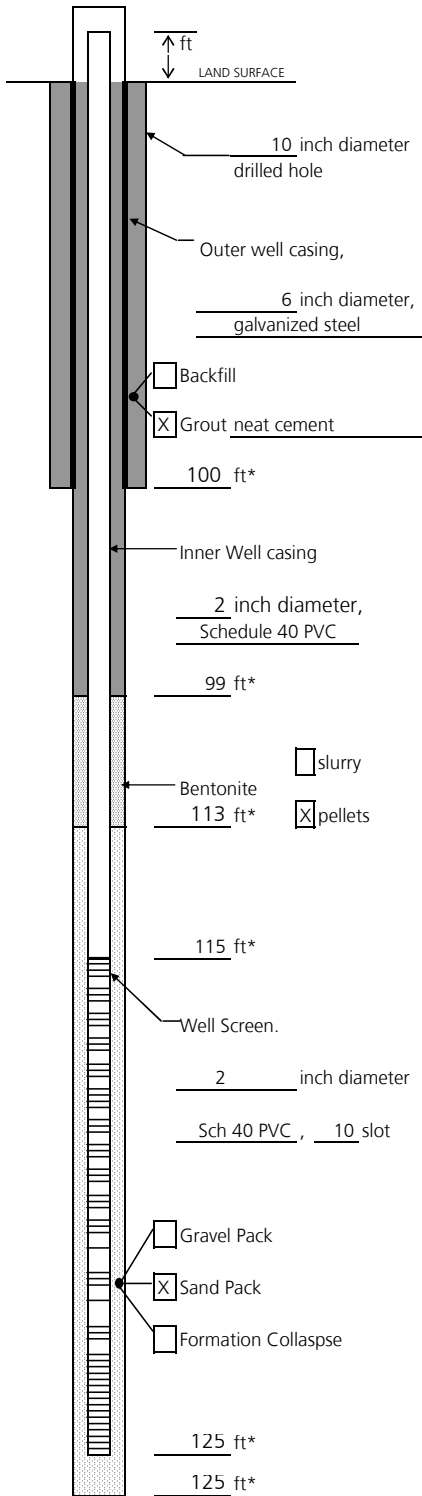
Well Purpose monitor well

Remarks _____

Measuring Point is
 Top of Well Casing
 Unless Otherwise Noted.

* Depth Below Land Surface

Prepared by Jason Namey



Project UNC Airport Road/Chem Site Well MW-37
 Town/City Chapel Hill
 County Orange State NC
 Permit No. _____

Land-Surface Elevation and Datum:
 _____ feet Surveyed
 Estimated

Installation Date(s) 7/1/2004 - 7/6/2004
 Drilling Method air hammer

Drilling Contractor Geologic Exploration
 Drilling Fluid air

Development Technique(s) and Date(s)
air and disposable bailer

Fluid Loss During Drilling _____ gallons
 Water Removed During Development _____ gallons
 Static Depth to Water _____ feet below M.P.
 Pumping Depth to Water _____ feet below M.P.
 Pumping Duration _____ hours
 Yield _____ gpm Date _____

Specific Capacity _____ gpm/ft

Well Purpose monitor well

Remarks _____

Measuring Point is
 Top of Well Casing
 Unless Otherwise Noted.

* Depth Below Land Surface

Prepared by Jason Namey

