

Measuring Point is
Top of Well Casing
Unless Otherwise Noted.

* Depth Below Land Surface

Project UNC Airport Road/Chem Site Well SRW-1

Town/City Chapel Hill

County Orange State NC

Permit No. _____

Land-Surface Elevation and Datum:

_____ feet Surveyed

Estimated

Installation Date(s) 4/4/06

Drilling Method Hollow Stem Auger and Air Rotary

Drilling Contractor Geologic Exploration

Drilling Fluid Air

Development Technique(s) and Date(s)

Submersible pump

Fluid Loss During Drilling _____ gallons

Water Removed During Development _____ gallons

Static Depth to Water _____ feet below M.P.

Pumping Depth to Water _____ feet below M.P.

Pumping Duration _____ hours

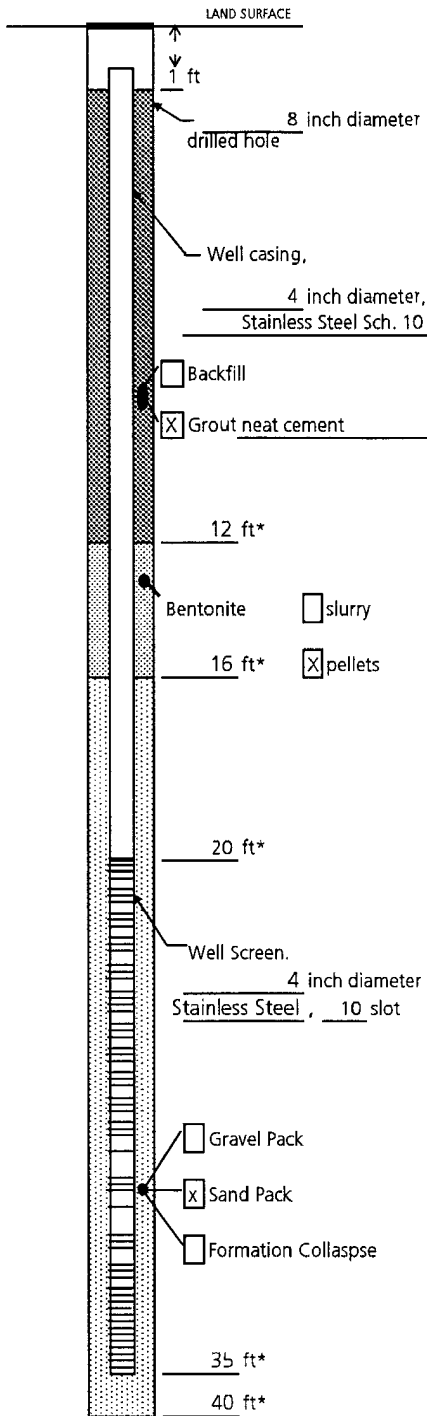
Yield _____ gpm Date _____

Specific Capacity _____ gpm/ft

Well Purpose Recovery Well

Remarks _____

Prepared by Joe Montrella



Measuring Point is
Top of Well Casing
Unless Otherwise Noted.

* Depth Below Land Surface

Project UNC Airport Road/Chem Site Well SRW-2

Town/City Chapel Hill

County Orange State NC

Permit No. _____

Land-Surface Elevation and Datum:
_____ feet Surveyed
 Estimated

Installation Date(s) 4/13/06

Drilling Method Hollow Stem Auger and Air Rotary

Drilling Contractor Geologic Exploration

Drilling Fluid Air

Development Technique(s) and Date(s)

Submersible pump

Fluid Loss During Drilling _____ gallons

Water Removed During Development _____ gallons

Static Depth to Water _____ feet below M.P.

Pumping Depth to Water _____ feet below M.P.

Pumping Duration _____ hours

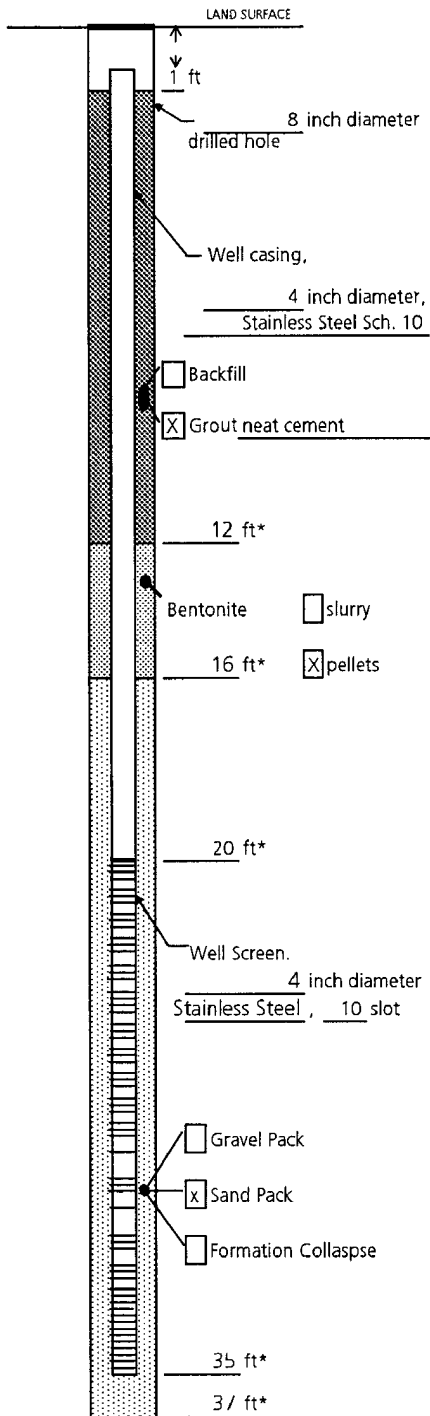
Yield _____ gpm Date _____

Specific Capacity _____ gpm/ft

Well Purpose Recovery Well

Remarks _____

Prepared by Joe Montrella



Measuring Point is
Top of Well Casing
Unless Otherwise Noted.

* Depth Below Land Surface

Project UNC Airport Road/Chem Site Well SRW-3

Town/City Chapel Hill

County Orange State NC

Permit No. _____

Land-Surface Elevation and Datum:

_____ feet Surveyed

Estimated

Installation Date(s) 4/4/06

Drilling Method Hollow Stem Auger and Air Rotary

Drilling Contractor Geologic Exploration

Drilling Fluid Air

Development Technique(s) and Date(s)

Submersible pump

Fluid Loss During Drilling _____ gallons

Water Removed During Development _____ gallons

Static Depth to Water _____ feet below M.P.

Pumping Depth to Water _____ feet below M.P.

Pumping Duration _____ hours

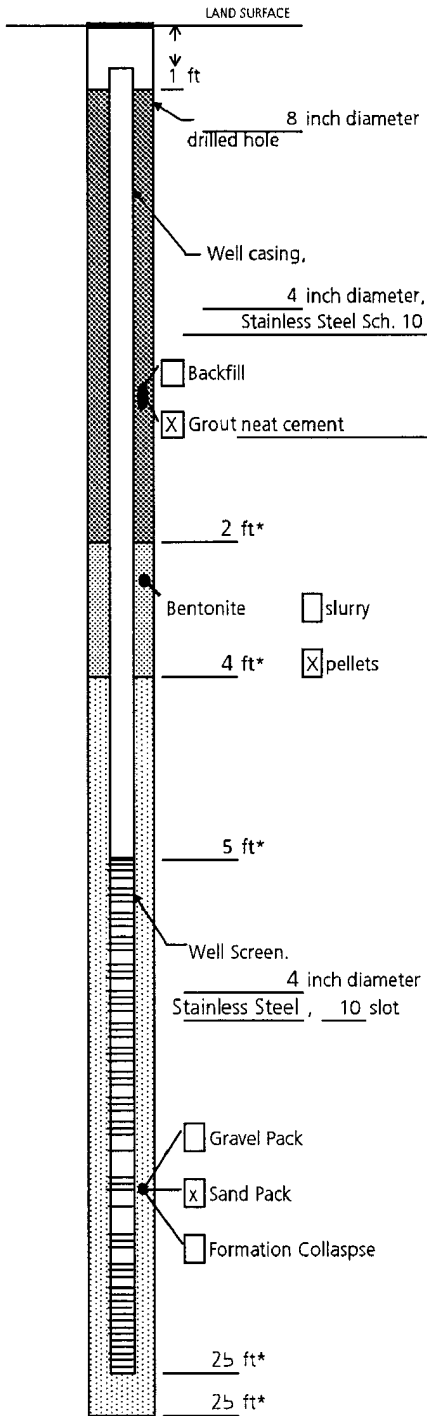
Yield _____ gpm Date _____

Specific Capacity _____ gpm/ft

Well Purpose Recovery Well

Remarks _____

Prepared by Joe Montrella



Measuring Point is
Top of Well Casing
Unless Otherwise Noted.

* Depth Below Land Surface

Project UNC Airport Road/Chem Site Well VER-1

Town/City Chapel Hill

County Orange State NC

Permit No. _____

Land-Surface Elevation and Datum:
_____ feet Surveyed
 Estimated

Installation Date(s) 4/4/06

Drilling Method Hollow Stem Auger and Air Rotary

Drilling Contractor Geologic Exploration

Drilling Fluid Air

Development Technique(s) and Date(s)

Submersible pump

Fluid Loss During Drilling _____ gallons

Water Removed During Development _____ gallons

Static Depth to Water _____ feet below M.P.

Pumping Depth to Water _____ feet below M.P.

Pumping Duration _____ hours

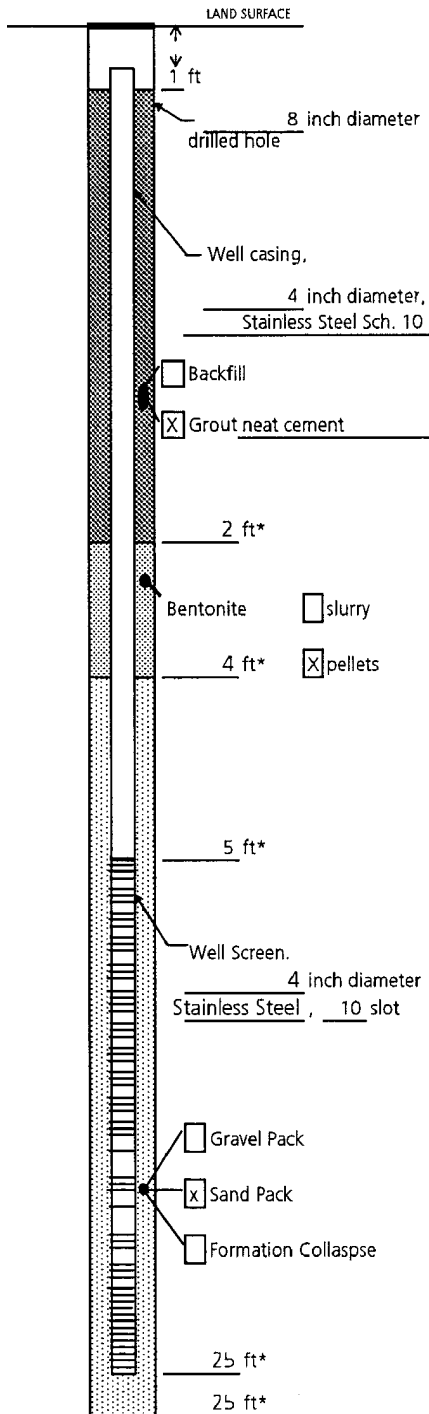
Yield _____ gpm Date _____

Specific Capacity _____ gpm/ft

Well Purpose Vacuum Enhanced Recovery Well

Remarks _____

Prepared by Joe Montrella



Measuring Point is
Top of Well Casing
Unless Otherwise Noted.

* Depth Below Land Surface

Project UNC Airport Road/Chem Site Well VER-3

Town/City Chapel Hill

County Orange State NC

Permit No. _____

Land-Surface Elevation and Datum:

_____ feet Surveyed

Estimated

Installation Date(s) 4/4/06

Drilling Method Hollow Stem Auger and Air Rotary

Drilling Contractor Geologic Exploration

Drilling Fluid Air

Development Technique(s) and Date(s)

Submersible pump

Fluid Loss During Drilling _____ gallons

Water Removed During Development _____ gallons

Static Depth to Water _____ feet below M.P.

Pumping Depth to Water _____ feet below M.P.

Pumping Duration _____ hours

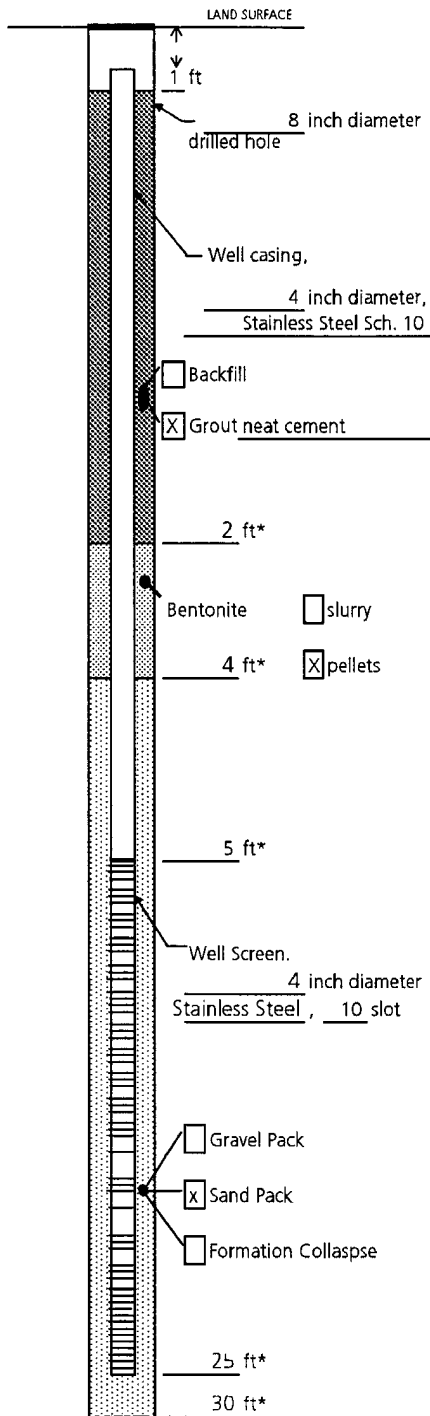
Yield _____ gpm Date _____

Specific Capacity _____ gpm/ft

Well Purpose Vacuum Enhanced Recovery Well

Remarks _____

Prepared by Joe Montrella



Measuring Point is
Top of Well Casing
Unless Otherwise Noted.

* Depth Below Land Surface

Project UNC Airport Road/Chem Site Well VER-4
 Town/City Chapel Hill
 County Orange State NC
 Permit No. _____

Land-Surface Elevation and Datum:
 _____ feet Surveyed
 Estimated

Installation Date(s) 4/4/06

Drilling Method Hollow Stem Auger and Air Rotary

Drilling Contractor Geologic Exploration

Drilling Fluid Air

Development Technique(s) and Date(s)

Submersible pump

Fluid Loss During Drilling _____ gallons

Water Removed During Development _____ gallons

Static Depth to Water _____ feet below M.P.

Pumping Depth to Water _____ feet below M.P.

Pumping Duration _____ hours

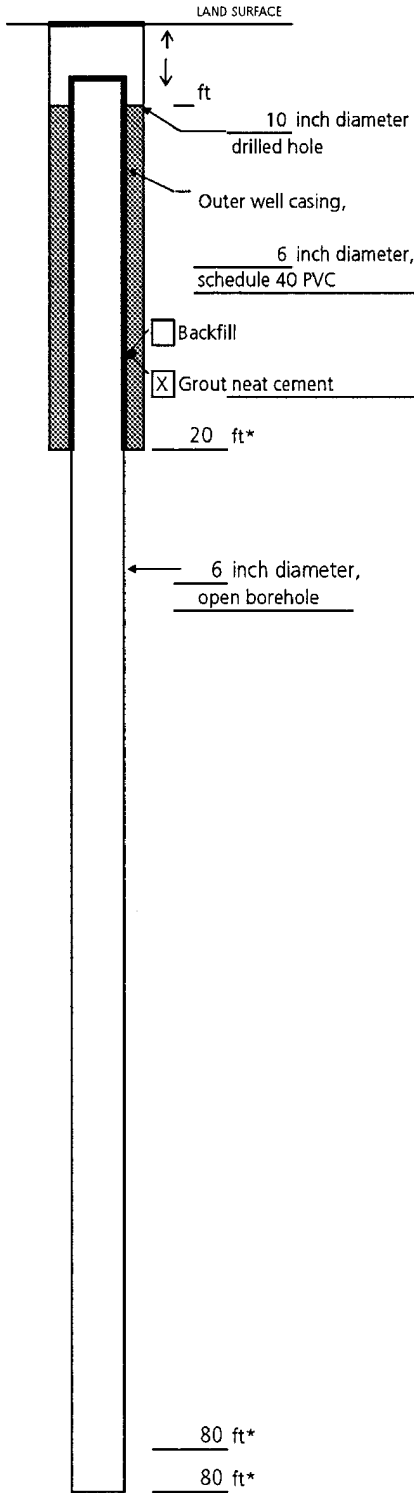
Yield _____ gpm Date _____

Specific Capacity _____ gpm/ft

Well Purpose Vacuum Enhanced Recovery Well

Remarks _____

Prepared by Joe Montrella



Project UNC Airport Road/Chem Site Well DRW-2

Town/City Chapel Hill

County Orange State NC

Permit No. _____

Land-Surface Elevation and Datum:
 _____ feet Surveyed
 Estimated

Installation Date(s) 7/1/2004 - 7/6/2004

Drilling Method air hammer

Drilling Contractor Geologic Exploration

Drilling Fluid air

Development Technique(s) and Date(s)
air and disposable bailer

Fluid Loss During Drilling _____ gallons

Water Removed During Development _____ gallons

Static Depth to Water _____ feet below M.P.

Pumping Depth to Water _____ feet below M.P.

Pumping Duration _____ hours

Yield _____ gpm Date _____

Specific Capacity _____ gpm/ft

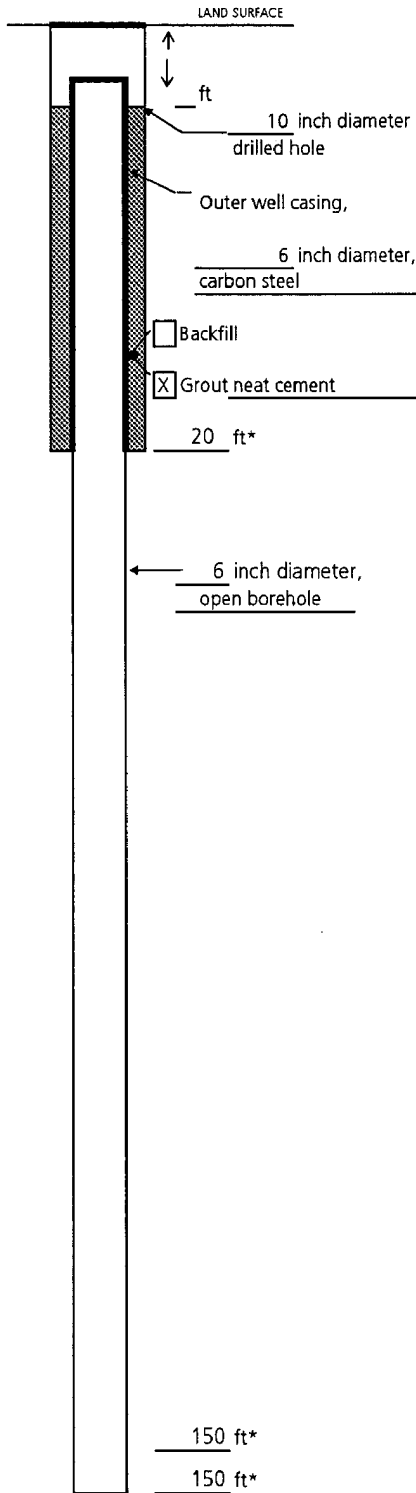
Well Purpose monitor well

Remarks _____

Measuring Point is
 Top of Well Casing
 Unless Otherwise Noted.

* Depth Below Land Surface

Prepared by Jason Namey



Project UNC Airport Road/Chem Site Well DRW-3

Town/City Chapel Hill

County Orange State NC

Permit No. _____

Land-Surface Elevation and Datum:
 _____ feet Surveyed
 Estimated

Installation Date(s) 7/1/2004 - 7/6/2004

Drilling Method air hammer

Drilling Contractor Geologic Exploration

Drilling Fluid air

Development Technique(s) and Date(s)
air and disposable bailer

Fluid Loss During Drilling _____ gallons

Water Removed During Development _____ gallons

Static Depth to Water _____ feet below M.P.

Pumping Depth to Water _____ feet below M.P.

Pumping Duration _____ hours

Yield _____ gpm Date _____

Specific Capacity _____ gpm/ft

Well Purpose monitor well

Remarks _____

Measuring Point is
 Top of Well Casing
 Unless Otherwise Noted.

* Depth Below Land Surface

Prepared by Jason Namey

