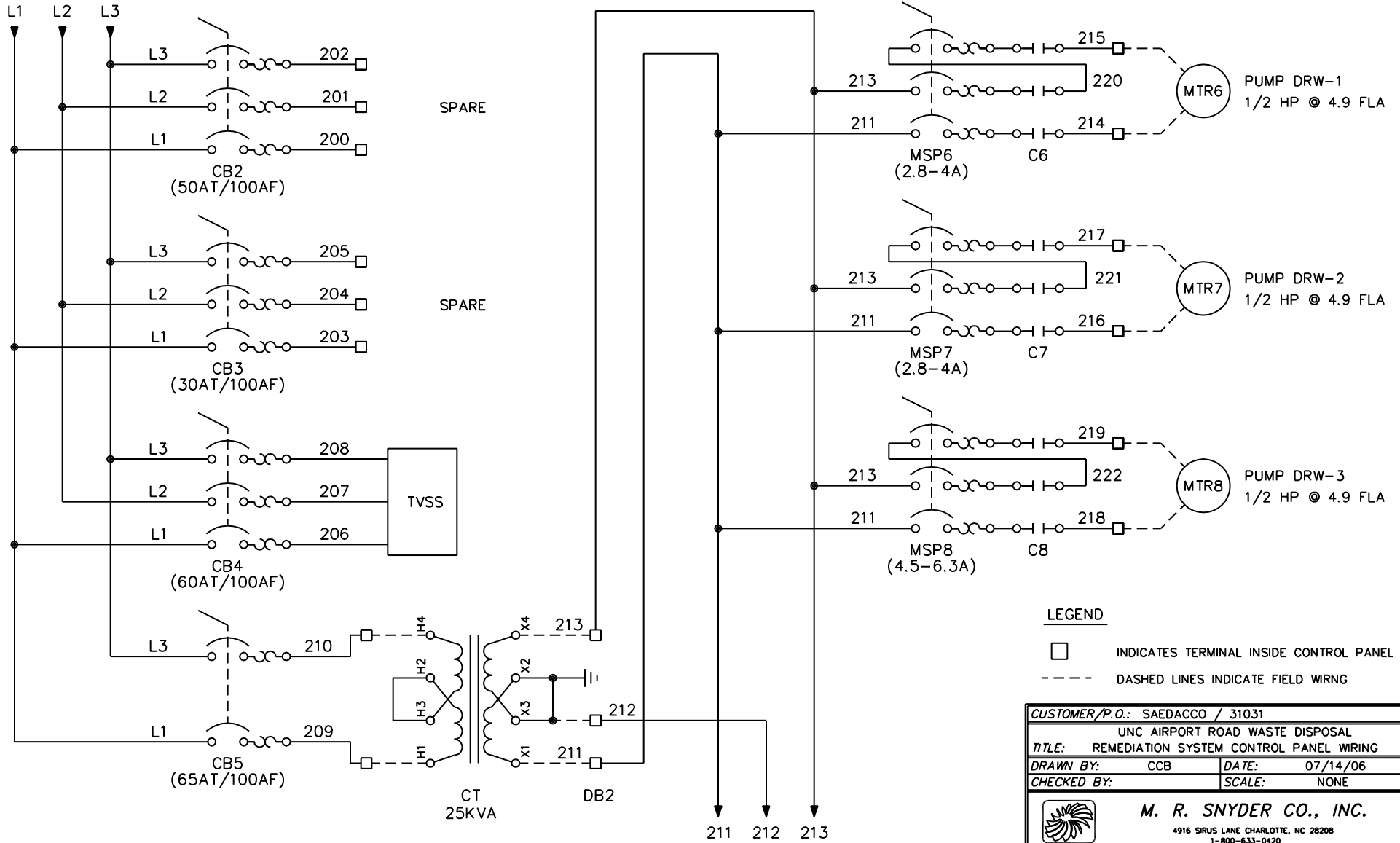


(CONTINUED FROM SHEET EE1)



LEGEND
 □ INDICATES TERMINAL INSIDE CONTROL PANEL
 - - - DASHED LINES INDICATE FIELD WIRNG

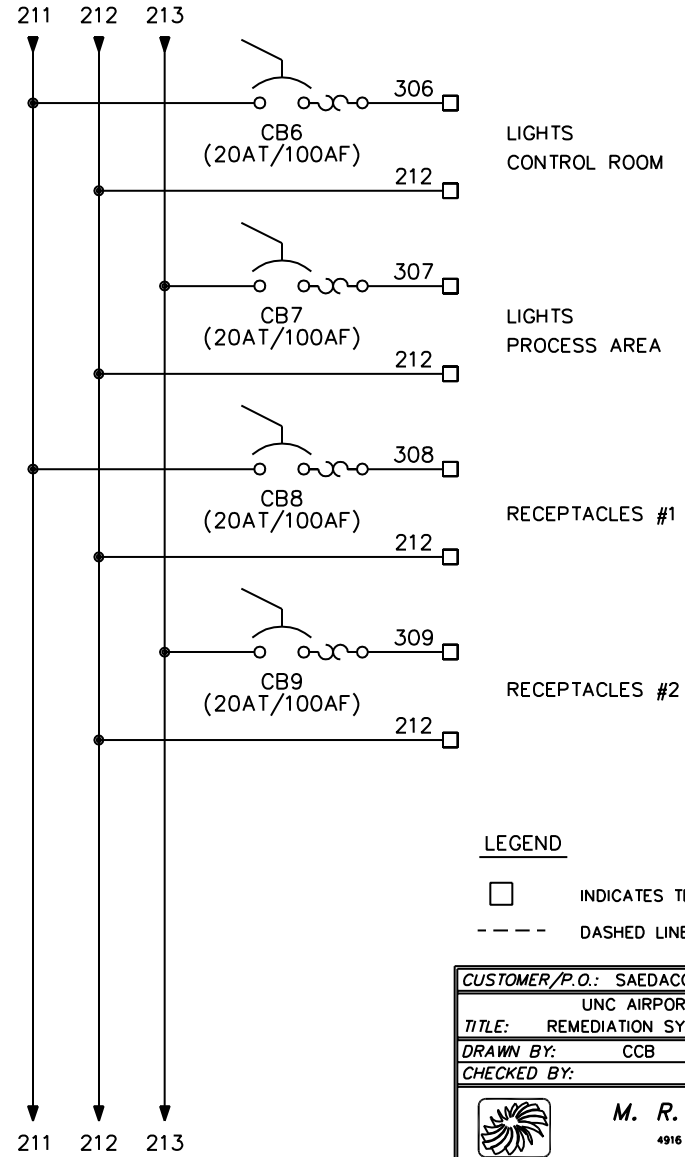
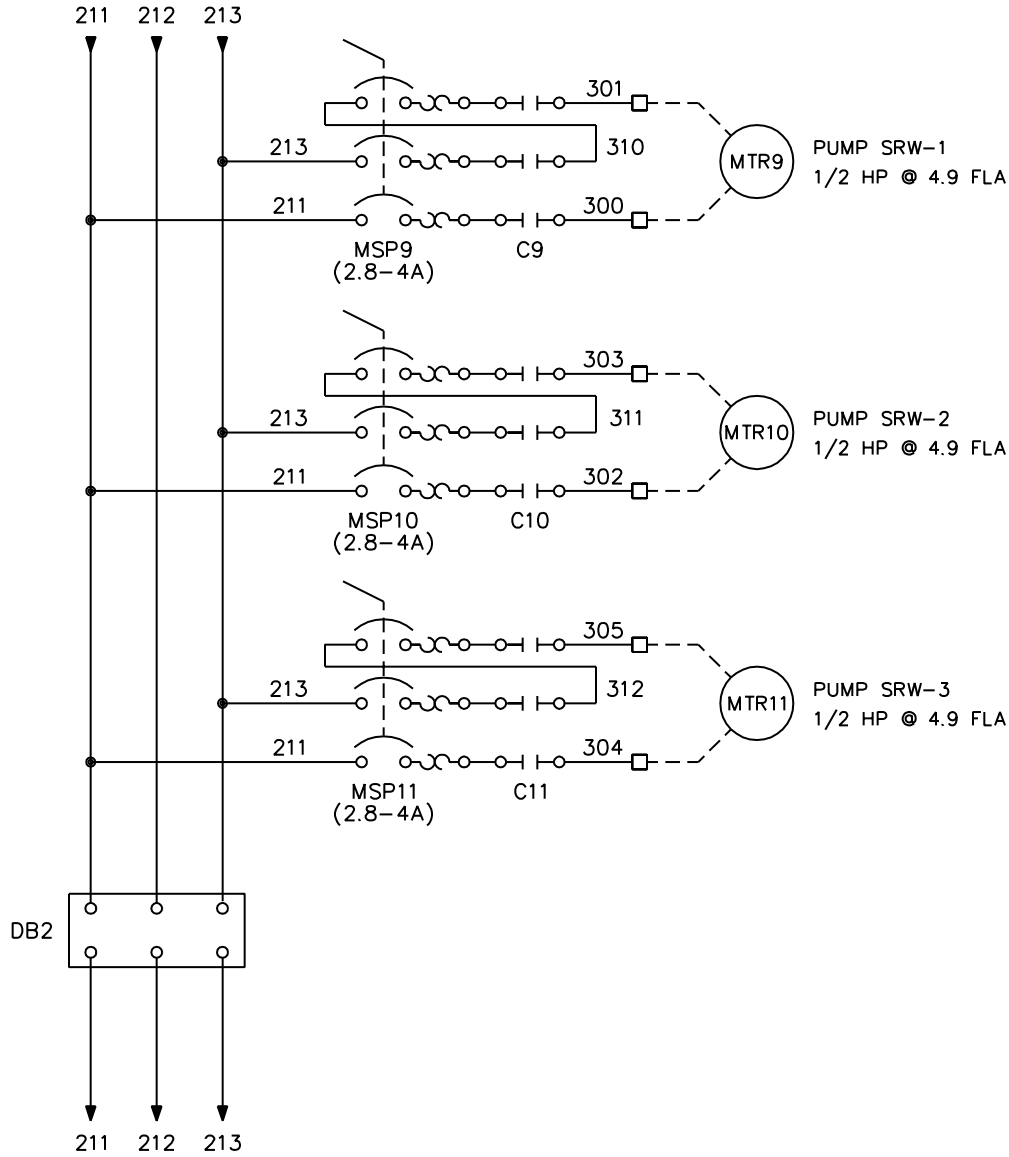
CUSTOMER/P.O.: SAEDACCO / 31031	
UNC AIRPORT ROAD WASTE DISPOSAL	
TITLE: REMEDIATION SYSTEM CONTROL PANEL WIRING	
DRAWN BY: CCB	DATE: 07/14/06
CHECKED BY:	SCALE: NONE


M. R. SNYDER CO., INC.
 4916 SIRUS LANE CHARLOTTE, NC 28208
 1-800-633-0420

CAD#: 13214 DWG#: 13214-EE2 4

(CONTINUED ON SHEET EE3)

(CONTINUED FROM SHEET EE2)



LEGEND

- INDICATES TERMINAL INSIDE CONTROL PANEL
- - - - DASHED LINES INDICATE FIELD WIRNG

CUSTOMER/P.O.: SAEDACCO / 31031	
UNC AIRPORT ROAD WASTE DISPOSAL	
TITLE: REMEDIATION SYSTEM CONTROL PANEL WIRING	
DRAWN BY: CCB	DATE: 07/18/06
CHECKED BY:	SCALE: NONE



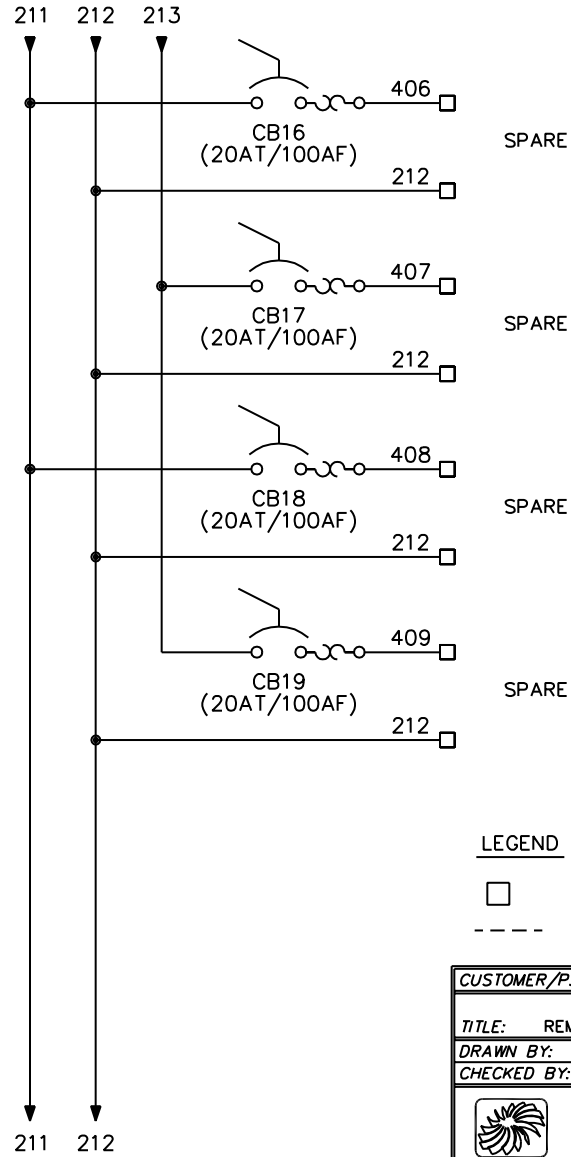
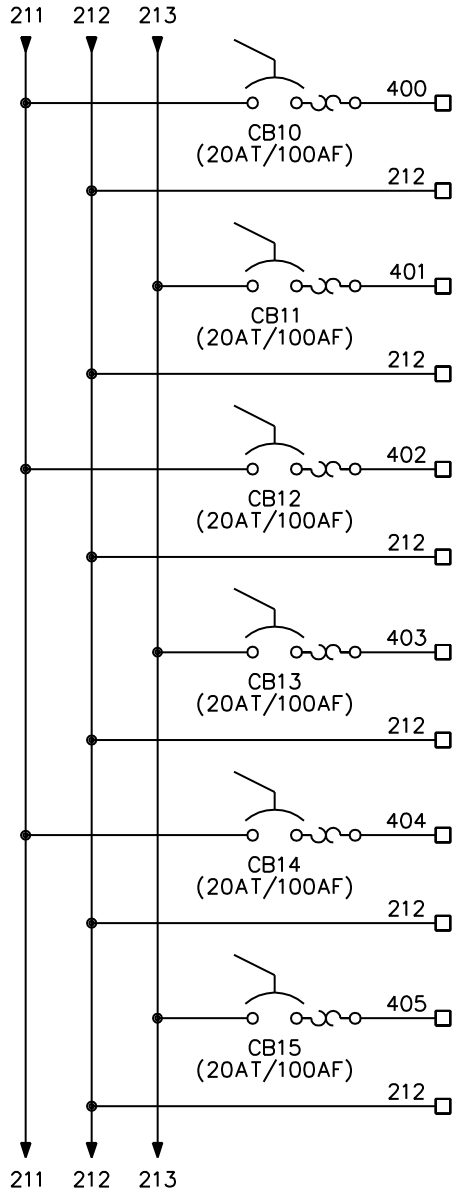
M. R. SNYDER CO., INC.

4916 SIRUS LANE CHARLOTTE, NC 28208
1-800-633-0420



CAD#:	13214	DWG#:	13214-EE3	4
-------	-------	-------	-----------	---

(CONTINUED ON SHEET EE4)

(CONTINUED FROM SHEET EE3)



LEGEND

-  INDICATES TERMINAL INSIDE CONTROL PANEL
-  DASHED LINES INDICATE FIELD WIRNG

CUSTOMER/P.O.: SAEDACCO / 31031	
UNC AIRPORT ROAD WASTE DISPOSAL	
TITLE: REMEDIATION SYSTEM CONTROL PANEL WIRING	
DRAWN BY: CCB	DATE: 07/18/06
CHECKED BY:	SCALE: NONE



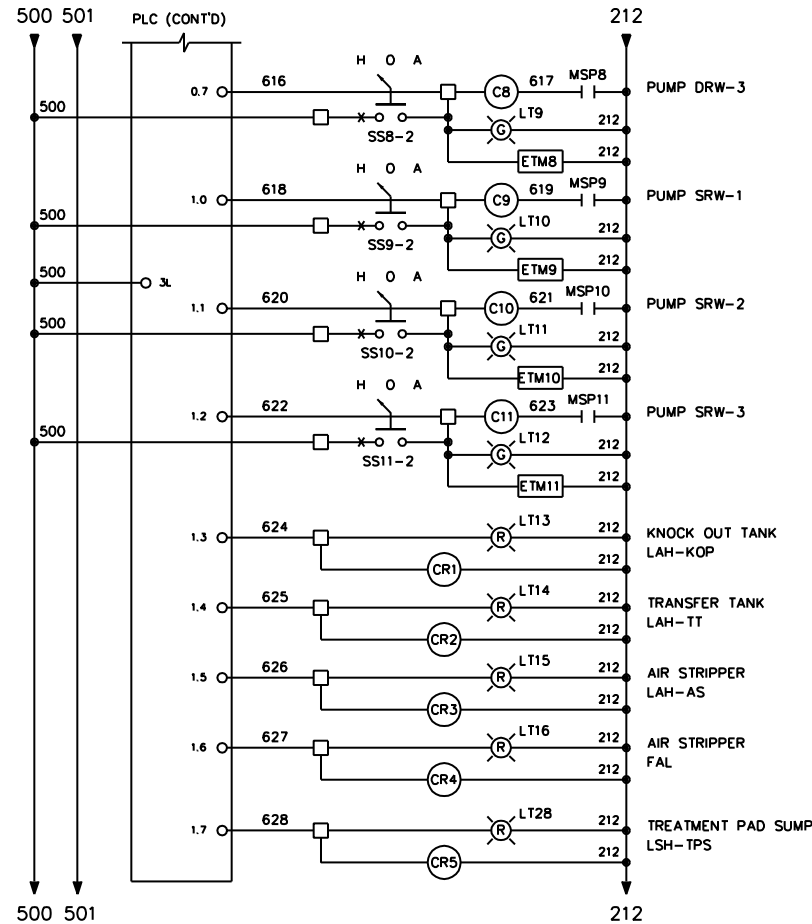
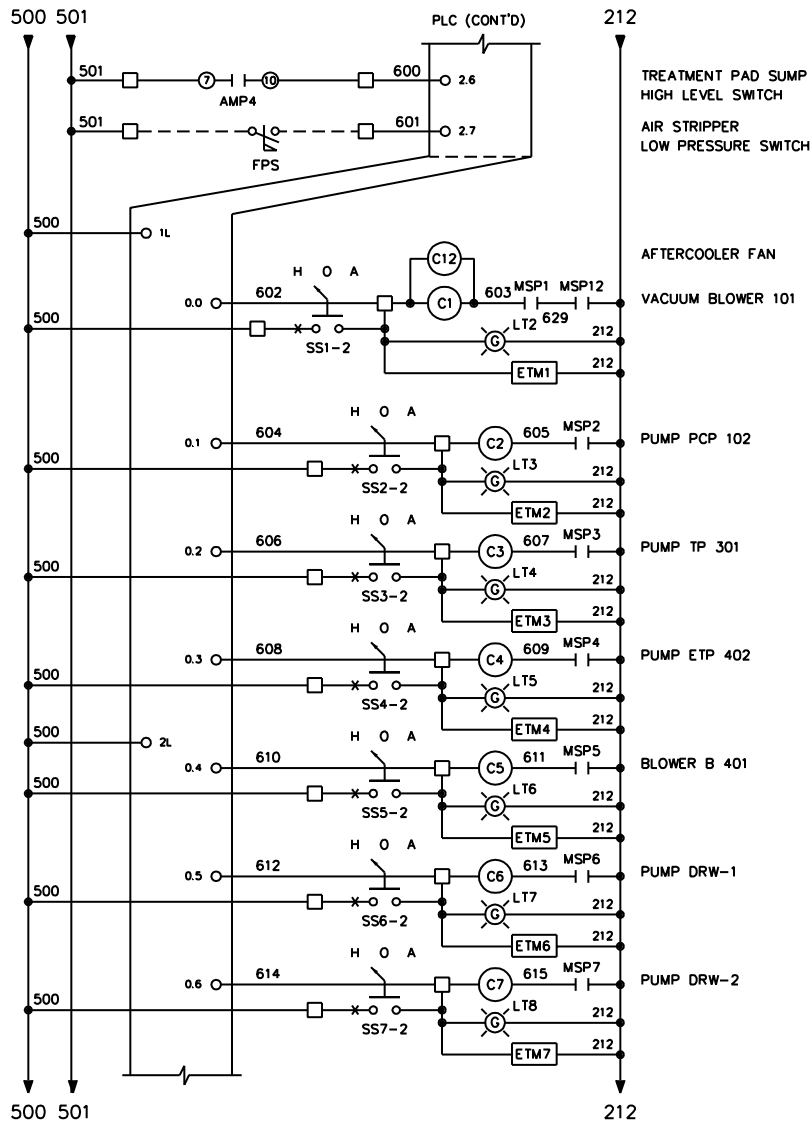
M. R. SNYDER CO., INC.

4916 SRUS LANE CHARLOTTE, NC 28208
1-800-633-0420

CAD#:	13214	DWG#:	13214-EE4	2
-------	-------	-------	-----------	---

(CONTINUED ON SHEET EE5)


(CONTINUED FROM SHEET EE5)



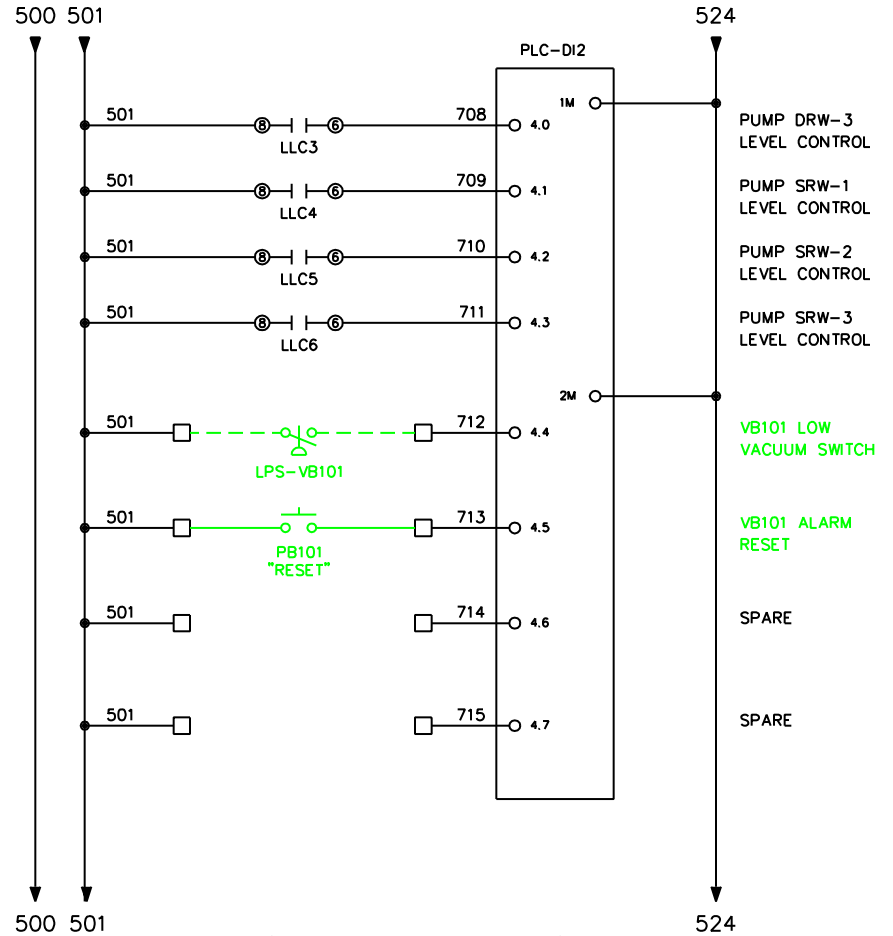
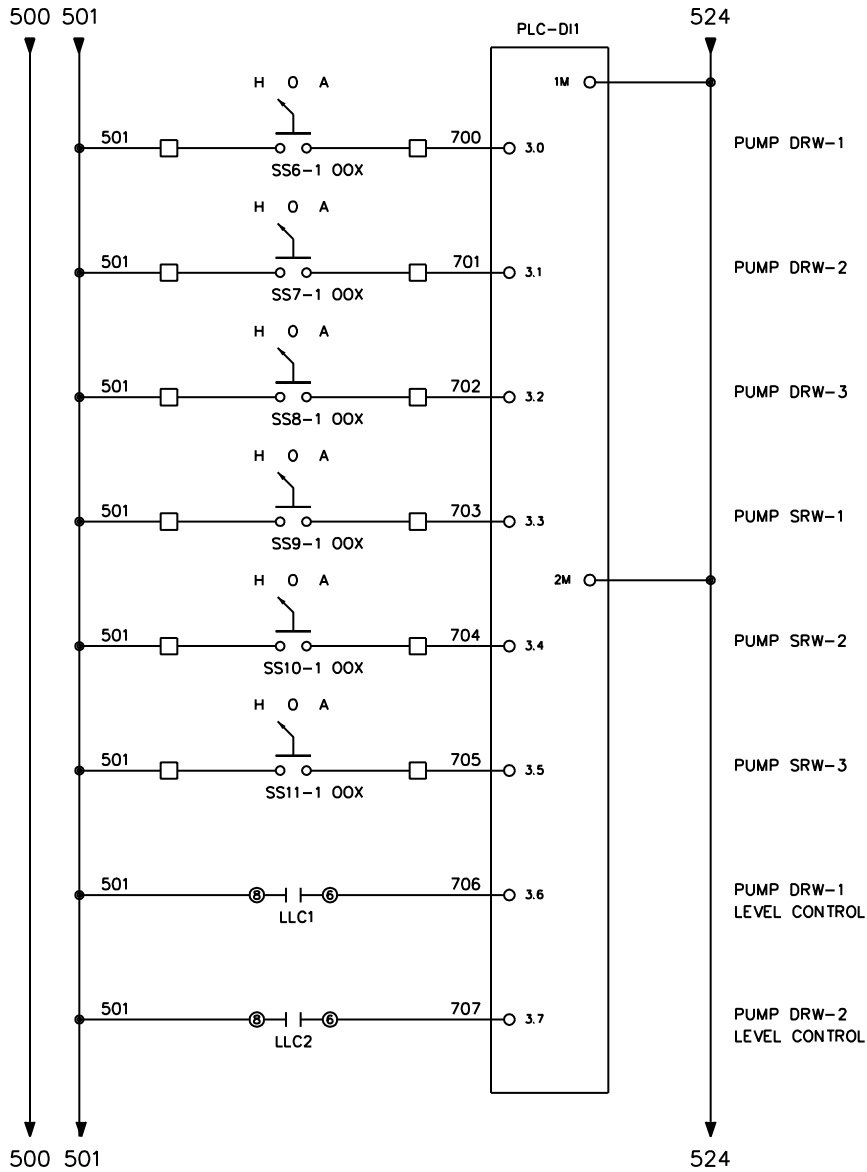
(CONTINUED ON SHEET EE7)

LEGEND

- INDICATES TERMINAL INSIDE CONTROL PANEL
- DASHED LINES INDICATE FIELD WIRNG

CUSTOMER/P.O.: SAEDACCO / 31031	
UNC AIRPORT ROAD WASTE DISPOSAL	
TITLE: REMEDIATION SYSTEM CONTROL PANEL WIRING	
DRAWN BY: CCB	DATE: 09/20/06
CHECKED BY:	SCALE: NONE
 M. R. SNYDER CO., INC. 4916 SIRUS LANE CHARLOTTE, NC 28208 1-800-633-0420	
CAD#: 13214	DWG#: 13214-EE6 5


(CONTINUED FROM SHEET EE6)



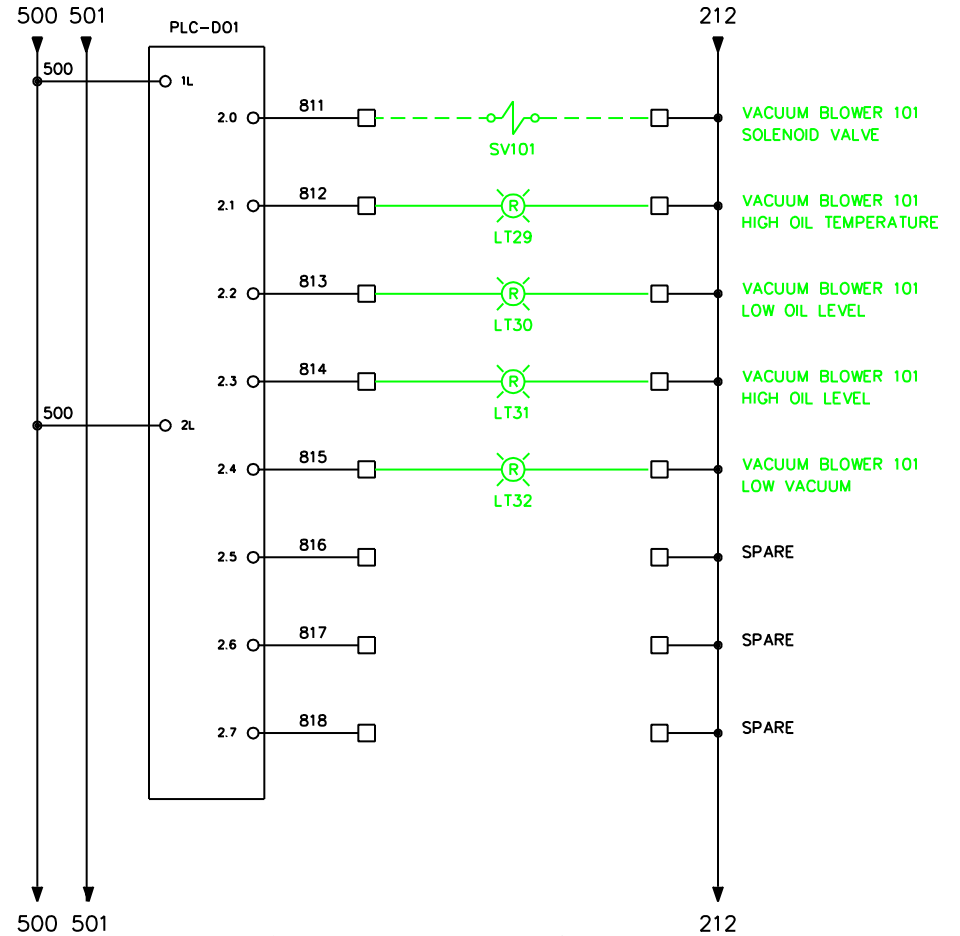
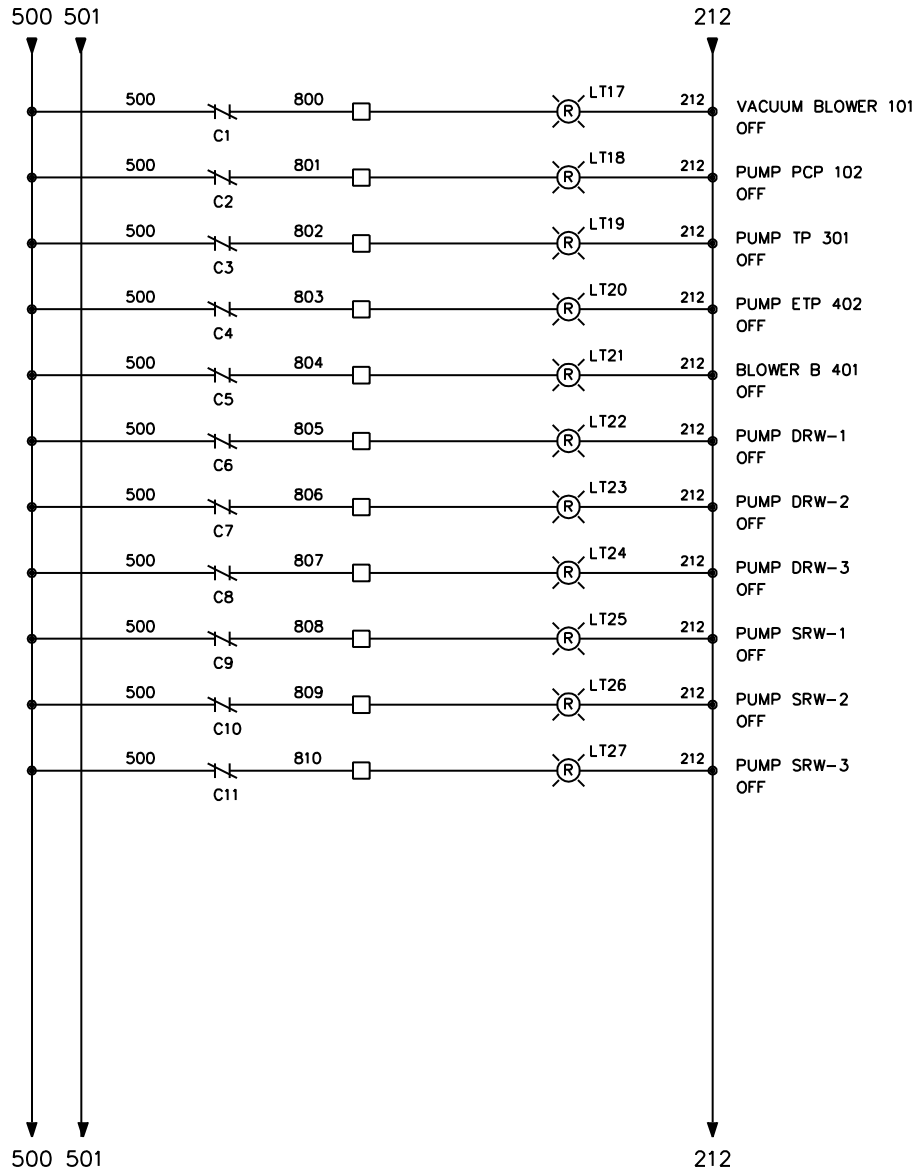
(CONTINUED ON SHEET EE8)

LEGEND

- INDICATES TERMINAL INSIDE CONTROL PANEL
- - - - DASHED LINES INDICATE FIELD WIRNG

CUSTOMER/P.O.: SAEDACCO / 31031	
UNC AIRPORT ROAD WASTE DISPOSAL	
TITLE: REMEDIATION SYSTEM CONTROL PANEL WIRING	
DRAWN BY: CCB	DATE: 09/12/06
CHECKED BY:	SCALE: NONE
 M. R. SNYDER CO., INC. 4916 SRUS LANE CHARLOTTE, NC 28208 1-800-633-0420	
CAD#: 13214	DWG#: 13214-EE7 5


(CONTINUED FROM SHEET EE7)



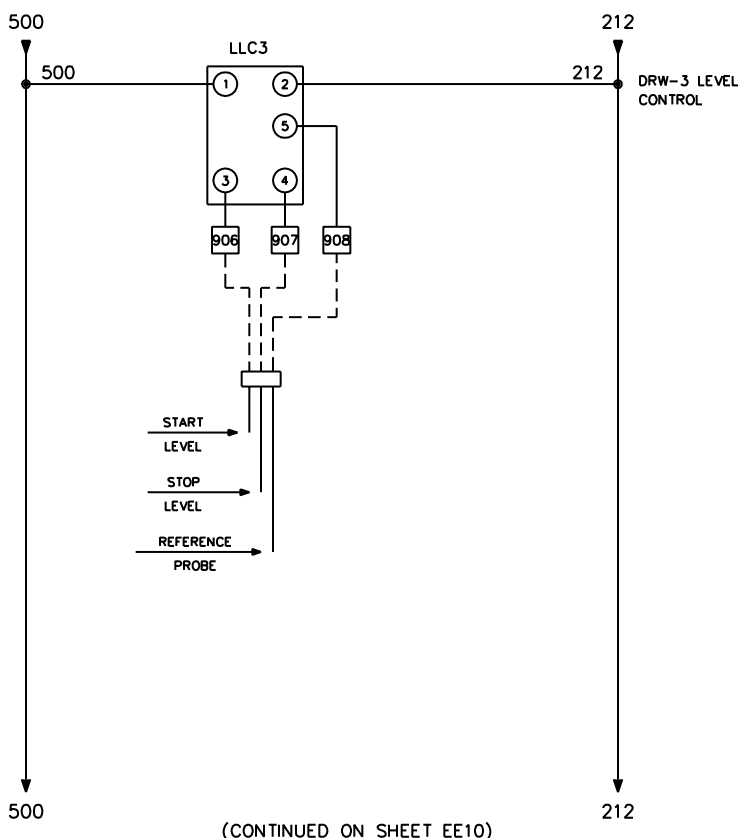
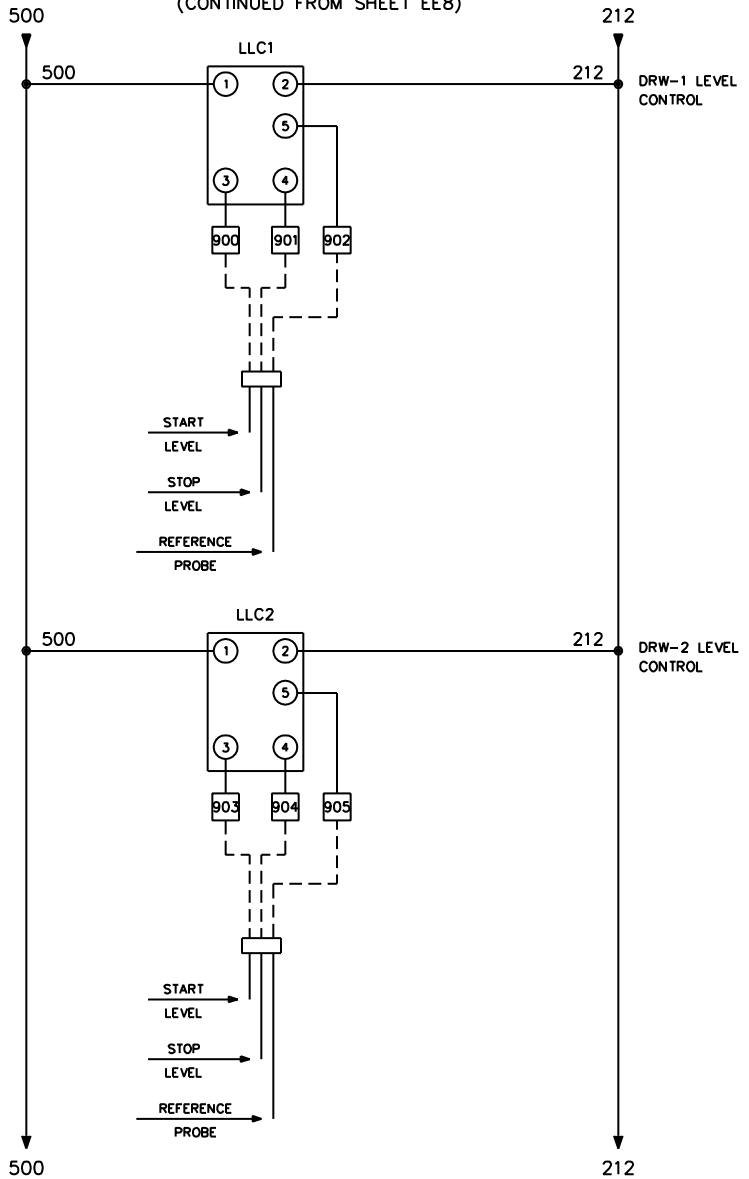
(CONTINUED ON SHEET EE9)

LEGEND

- INDICATES TERMINAL INSIDE CONTROL PANEL
- DASHED LINES INDICATE FIELD WIRNG

CUSTOMER/P.O.: SAEDACCO / 31031	
UNC AIRPORT ROAD WASTE DISPOSAL	
TITLE: REMEDIATION SYSTEM CONTROL PANEL WIRING	
DRAWN BY: CCB	DATE: 09/13/06
CHECKED BY:	SCALE: NONE
 M. R. SNYDER CO., INC. 4916 SIRUS LANE CHARLOTTE, NC 28208 1-800-633-0420	
CAD#:	13214
DWG#:	13214-EE8 3

(CONTINUED FROM SHEET EE8)



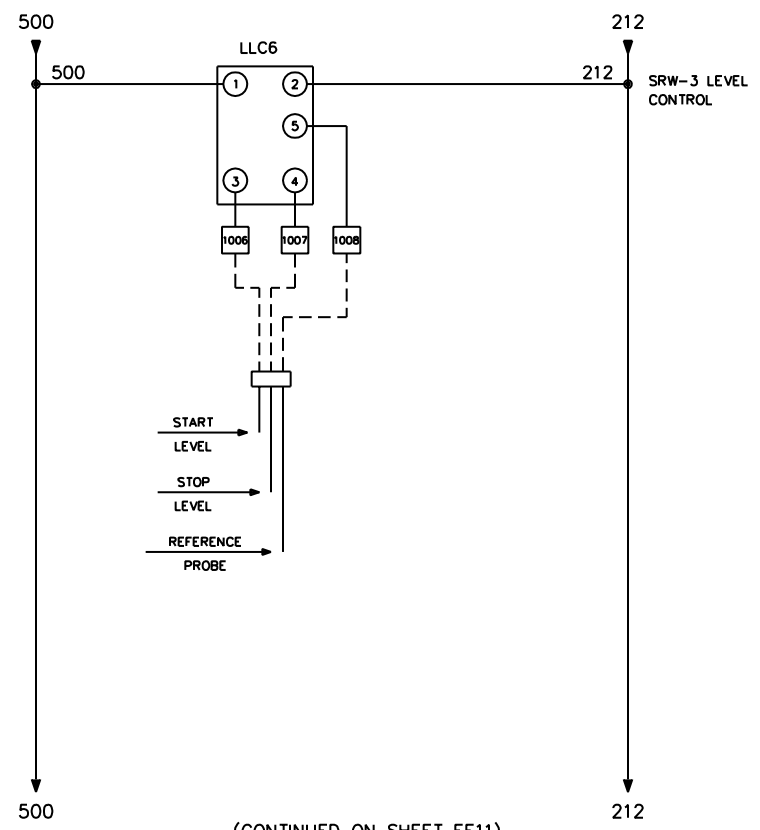
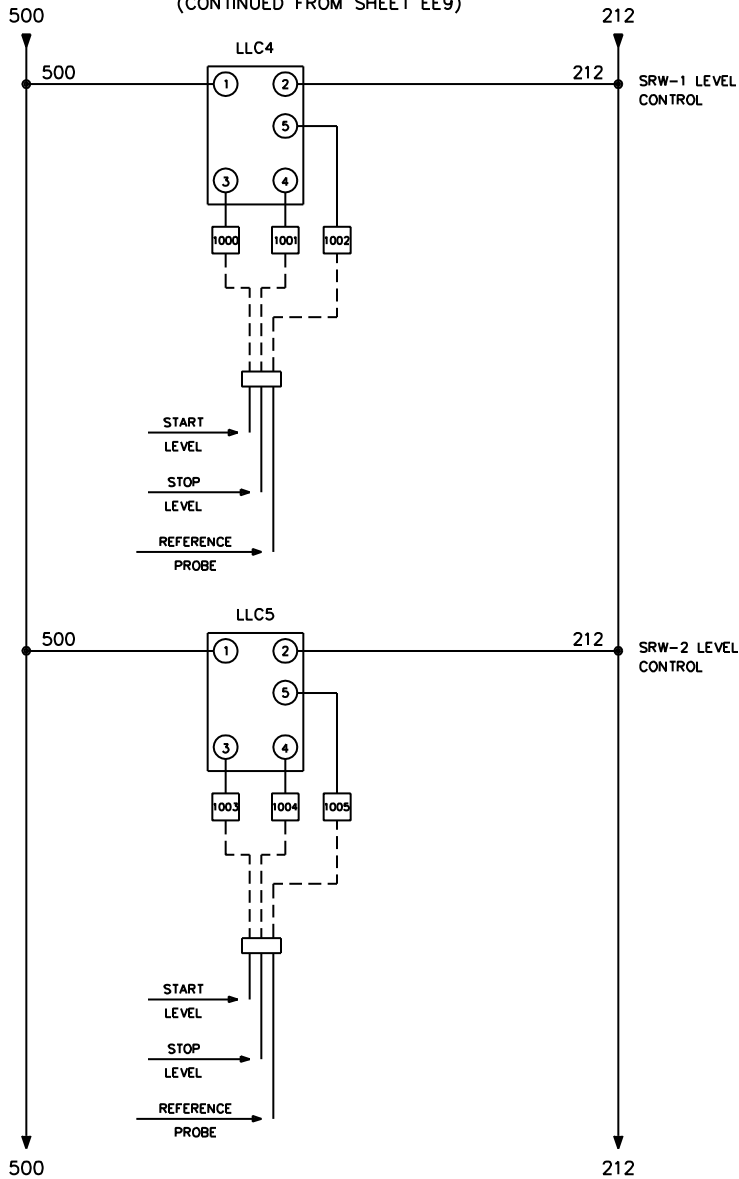
(CONTINUED ON SHEET EE10)

LEGEND

- INDICATES TERMINAL INSIDE CONTROL PANEL
- - - - DASHED LINES INDICATE FIELD WIRNG

CUSTOMER/P.O.: SAEDACCO / 31031	
UNC AIRPORT ROAD WASTE DISPOSAL	
TITLE: REMEDIATION SYSTEM CONTROL PANEL WIRING	
DRAWN BY: CCB	DATE: 07/19/06
CHECKED BY:	SCALE: NONE
M. R. SNYDER CO., INC. 4916 SIRUS LANE CHARLOTTE, NC 28208 1-800-633-0420	
CAD#: 13214	DWG#: 13214-EE9 2

(CONTINUED FROM SHEET EE9)

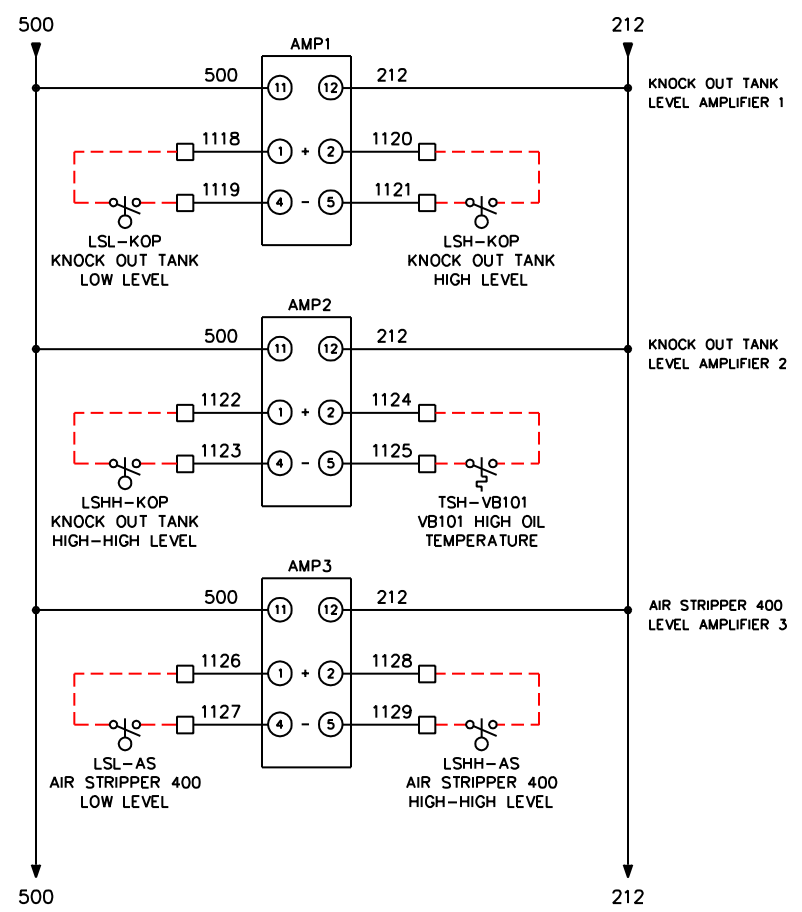
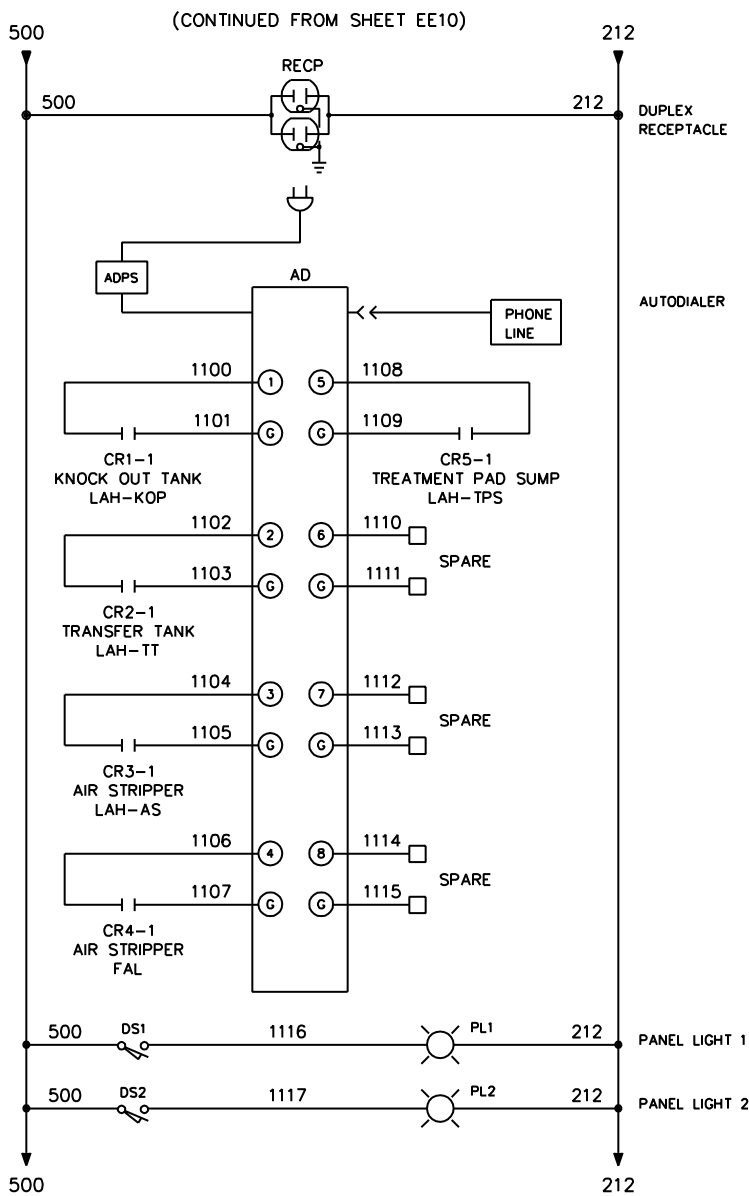


(CONTINUED ON SHEET EE11)

LEGEND

- INDICATES TERMINAL INSIDE CONTROL PANEL
- - - - DASHED LINES INDICATE FIELD WIRNG


CUSTOMER/P.O.: SAEDACCO / 31031	
UNC AIRPORT ROAD WASTE DISPOSAL	
TITLE: REMEDIATION SYSTEM CONTROL PANEL WIRING	
DRAWN BY: CCB	DATE: 07/19/06
CHECKED BY:	SCALE: NONE
M. R. SNYDER CO., INC. <small>4916 SIRUS LANE CHARLOTTE, NC 28208 1-800-633-0420</small>	
CAD#: 13214	DWG#: 13214-EE10 1

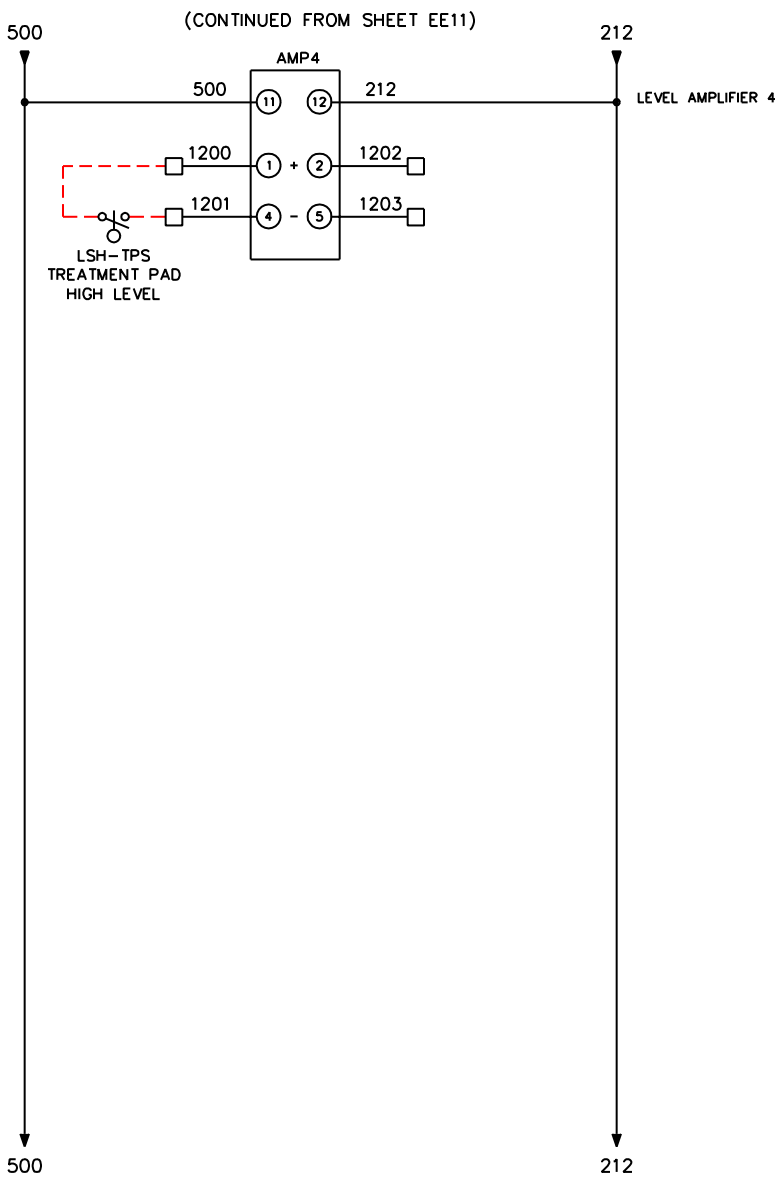


LEGEND

□ INDICATES TERMINAL INSIDE CONTROL PANEL

--- DASHED LINES INDICATE FIELD WIRNG

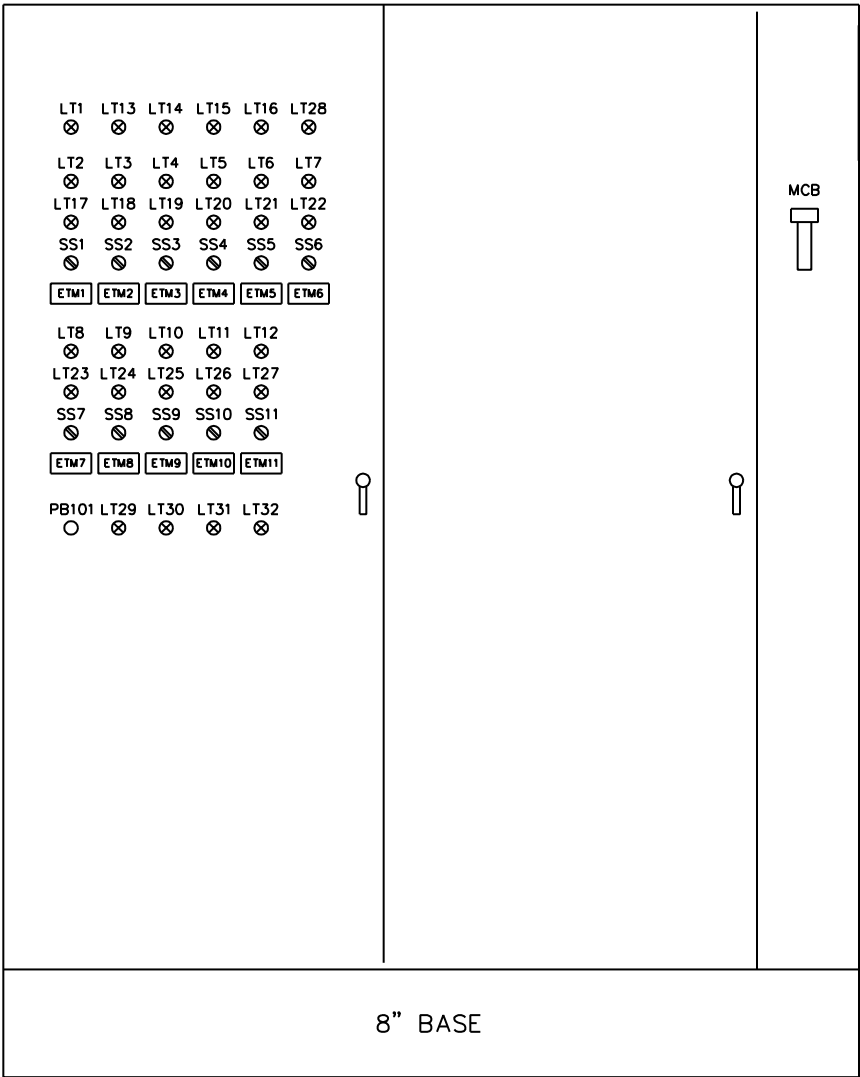
CUSTOMER/P.O.: SAEDACCO / 31031	
UNC AIRPORT ROAD WASTE DISPOSAL	
TITLE: REMEDIATION SYSTEM CONTROL PANEL WIRING	
DRAWN BY: CCB	DATE: 09/20/06
CHECKED BY:	SCALE: NONE
 M. R. SNYDER CO., INC. 4916 SIRUS LANE CHARLOTTE, NC 28208 1-800-633-0420	
CAD#:	13214
DWG#:	13214-EE11 6




LEGEND

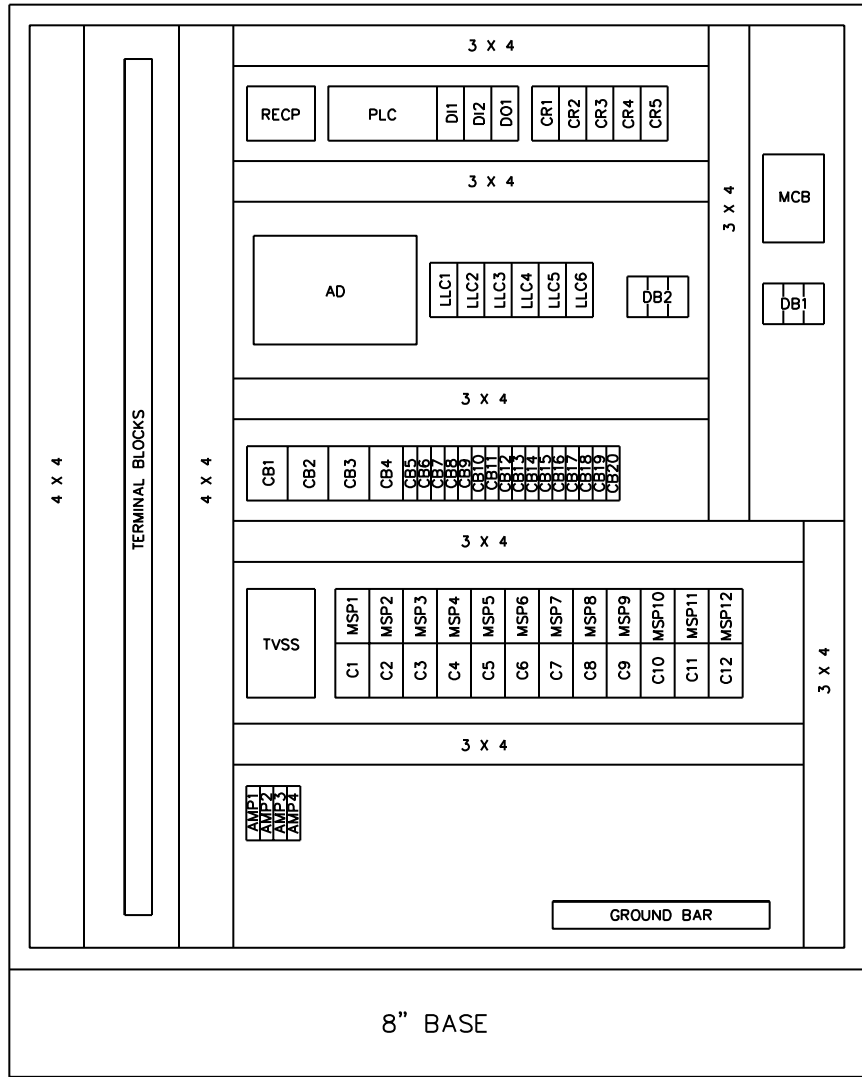
- INDICATES TERMINAL INSIDE CONTROL PANEL
- - - - DASHED LINES INDICATE FIELD WIRNG

CUSTOMER/P.O.: SAEDACCO / 31031	
UNC AIRPORT ROAD WASTE DISPOSAL	
TITLE: REMEDIATION SYSTEM CONTROL PANEL WIRING	
DRAWN BY: CCB	DATE: 09/20/06
CHECKED BY:	SCALE: NONE
M. R. SNYDER CO., INC. <small>4916 SIRUS LANE CHARLOTTE, NC 28208 1-800-633-0420</small>	
CAD#: 13214	DWG#: 13214-EE12 1

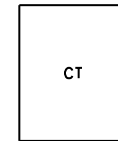


DOOR LAYOUT
71"+8"=79"H X 63"W X 16"D


CUSTOMER/P.O.: SAEDACCO / 31031	
UNC AIRPORT ROAD WASTE DISPOSAL	
TITLE: REMEDIATION SYSTEM PANEL DOOR LAYOUT	
DRAWN BY: CCB	DATE: 09/13/06
CHECKED BY:	SCALE: NONE
 M. R. SNYDER CO., INC. 4916 SRUS LANE CHARLOTTE, NC 28208 1-800-633-0420	
CAD#: 13214	DWG#: 13214-EP1 4




INTERIOR LAYOUT
 71"+8"=79"H X 63"W X 16"D



TRANSFORMER TO BE
 MOUNTED IN THE FIELD
 WEIGHT = 250#

CUSTOMER/P.O.: SAEDACCO / 31031	
UNC AIRPORT ROAD WASTE DISPOSAL	
TITLE: REMEDIATION SYSTEM PANEL INTERIOR LAYOUT	
DRAWN BY: CCB	DATE: 09/20/06
CHECKED BY:	SCALE: NONE
 M. R. SNYDER CO., INC. 4916 SIRUS LANE CHARLOTTE, NC 28208 1-800-633-0420	
CAD#: 13214	DWG#: 13214-EP2 5

A	B	C	D	E	F	G	H	J	K	L	M	N	P	O	R	S	T	U	V	W	X	Y
ITEM	QTY	DESCRIPTION																				
1	1	RITTAL ENCLOSURE 71"H X 63"W X 16"D CONSISTING OF: (1) #8984.500 ENCLOSURE, (1) #8884.500 ENCLOSURE, #8184.235 SIDEWALL, (2) #8602.80 FRONT & REAR BASE, (2) #8602.040 SIDE BASE, (2) LIGHT #9968.112 AND (2) DOOR SWITCH #4127.000																				
2	1	SIEMENS CIRCUIT BREAKER, 200AMP, 3-POLE, #FD63B200WL WITH HANDLE #FHOH, OPERATOR #FHOFBO AND CABLE #HOF060																				
	3	ERICO DISTRIBUTION BLOCK, SINGLE POLE, 230A, #569160																				
	3	ERICO DISTRIBUTION BLOCK, SINGLE POLE, 80A, #569010																				
	1	ACME TRANSFORMER, 25KVA, #T2-53518-3S, 480V PRIMARY, 120/240V SECONDARY																				
	1	SIEMENS CIRCUIT BREAKER, 3-POLE, 15A, #COD315																				
	1	SIEMENS CIRCUIT BREAKER, 3-POLE, 50A, #COD350																				
	1	SIEMENS CIRCUIT BREAKER, 3-POLE, 30A, #COD330																				
	1	SIEMENS CIRCUIT BREAKER, 3-POLE, 60A, #COD360																				
	1	SIEMENS CIRCUIT BREAKER, 2-POLE, 70A, #COD270																				
	14	SIEMENS CIRCUIT BREAKER, 1-POLE, 20A, #5SX2120-8																				
	1	SIEMENS CIRCUIT BREAKER, 1-POLE, 15A, #5SX2118-7																				
	1	SIEMENS 15HP @ 460/3/60 STARTER #3RA1125-4CA26-1AK6 (17-22A)																				
	1	SIEMENS 3/4HP @ 460/3/60 STARTER #3RA1125-1AA23-1AK6 (1.0-1.6A)																				
	1	SIEMENS 1HP @ 460/3/60 STARTER #3RA1125-1BA23-1AK6 (1.4-2.0A)																				
	1	SIEMENS 2HP @ 460/3/60 STARTER #3RA1125-1EA23-1AK6 (2.8-4.0A)																				
	1	SIEMENS 5HP @ 460/3/60 STARTER #3RA1125-1HA23-1AK6 (5.5-8.0A)																				
	1	SIEMENS 1/2HP @ 230/1/60 STARTER #3RA1125-1GA23-1AK6 (4.5-6.3A)																				
	1	SIEMENS 1/2HP @ 230/1/60 STARTER #3RA1125-1GA23-1AK6 (4.5-6.3A)																				
	1	SIEMENS 1/2HP @ 230/1/60 STARTER #3RA1125-1GA23-1AK6 (4.5-6.3A)																				
	1	SIEMENS 1/2HP @ 230/1/60 STARTER #3RA1125-1GA23-1AK6 (4.5-6.3A)																				
	1	SIEMENS 1/2HP @ 230/1/60 STARTER #3RA1125-1GA23-1AK6 (4.5-6.3A)																				
	1	SIEMENS 1/2HP @ 230/1/60 STARTER #3RA1125-1GA23-1AK6 (4.5-6.3A)																				
	5	SIEMENS RELAY, DPDT, 120VAC #3TX7114-5LF13 WITH SOCKET #3TX7144-1E6																				
	1	SENSAPHONE AUTODIALER MODEL FGD2000																				
	1	WEIDMULLER DUPLEX OUTLET, 15A #9915490000																				
	1	SIEMENS S7-200 PROGRAMMABLE CONTROLLER #6ES7216-2BD23-0XB0																				
	2	SIEMENS S7-200 EXPANSION DIGITAL INPUT, 8-POINT, #6ES7221-1BF22-0XAO																				
	1	SIEMENS S7-200 EXPANSION DIGITAL OUTPUT, 8-POINT, #6ES7222-1HF22-0XAO																				
	1	AD PILOT LIGHT, 120VAC, #ECX1056-120, WHITE																				
	1	AD PILOT LIGHT, 120VAC, #ECX1052-120, GREEN																				
	16	AD PILOT LIGHT, 120VAC, #ECX1051-120, RED																				
	11	AD SELECTOR SWITCH, 3-POSITION, #GCX1320-22 WITH "HAND-OFF-AUTO" NAMEPLATE																				
	11	REDINGTON HOUR METER, 99999.9 HOURS, 120VAC, #722-0002 (3AB99)																				
	1	E-CLIPS TRANSIENT VOLTAGE SURGE SUPPRESSOR #PTS480-Y																				
	6	WARRICK LEVEL CONTROL RELAY, 120VAC, #16MC1A0 WITH SOCKET #3TX7144-1E2																				
	1	SIEMENS 1/2HP @ 460/3/60 STARTER #3RA1125-OKA23-1AK6 (0.9-1.25A)																				
	4	TURCK AMPLIFIER #IM1-22EX-R																				
	1	AD PUSHBUTTON, BLACK, #GCX1110 WITH "VB101 RESET" NAMEPLATE																				
	4	AD PILOT LIGHT, 120VAC, #ECX1051-120, RED																				

CUSTOMER/P.O.: SAEDACCO / 31031	
UNC AIRPORT ROAD WASTE DISPOSAL	
TITLE: REMEDIATION SYSTEM PANEL BILL OF MATERIAL	
DRAWN BY: CCB	DATE: 09/20/06
CHECKED BY:	SCALE: NONE
 M. R. SNYDER CO., INC. 4916 SIRUS LANE CHARLOTTE, NC 28208 1-800-633-0420	
CAD#: 13214	DWG#: 13214-EP3 6