

Project UNC Airport Road/Chem Site Well MW-34  
 Town/City Chapel Hill  
 County Orange State NC  
 Permit No. \_\_\_\_\_

Land-Surface Elevation and Datum:  
 \_\_\_\_\_ feet  Surveyed  
 Estimated

Installation Date(s) 7/6/04

Drilling Method air hammer

Drilling Contractor Geologic Exploration

Drilling Fluid air

Development Technique(s) and Date(s)

air and disposable bailer

Fluid Loss During Drilling \_\_\_\_\_ gallons

Water Removed During Development \_\_\_\_\_ gallons

Static Depth to Water \_\_\_\_\_ feet below M.P.

Pumping Depth to Water \_\_\_\_\_ feet below M.P.

Pumping Duration \_\_\_\_\_ hours

Yield \_\_\_\_\_ gpm Date \_\_\_\_\_

Specific Capacity \_\_\_\_\_ gpm/ft

Well Purpose monitor well

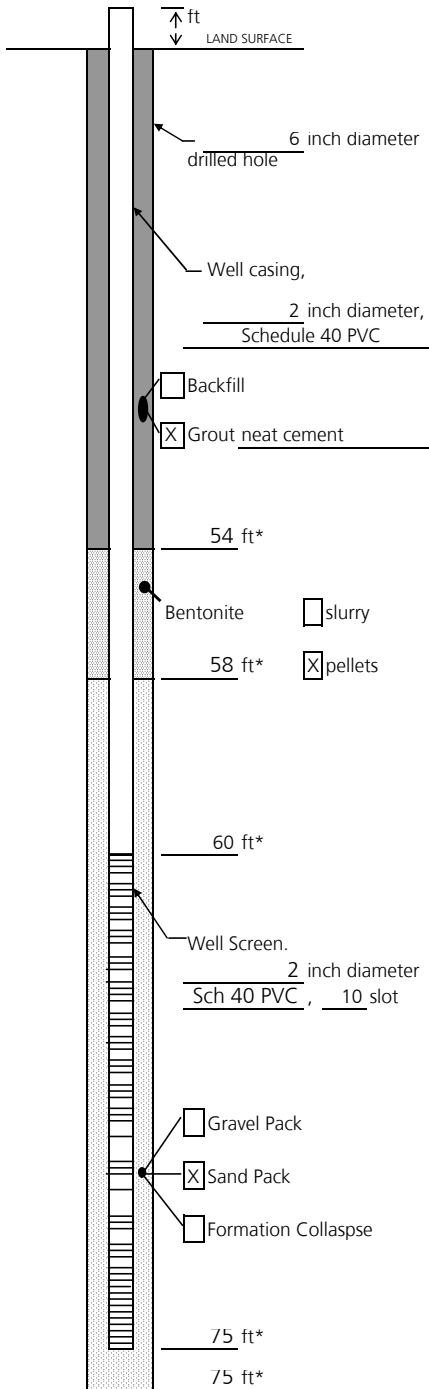
Remarks \_\_\_\_\_

Measuring Point is  
 Top of Well Casing  
 Unless Otherwise Noted.

\* Depth Below Land Surface

Prepared by Jason Namey





Project UNC Airport Road/Chem Site Well MW-35  
 Town/City Chapel Hill  
 County Orange State NC  
 Permit No. \_\_\_\_\_

Land-Surface Elevation and Datum:  
 \_\_\_\_\_ feet  Surveyed  
 Estimated

Installation Date(s) 7/6/04  
 Drilling Method air hammer  
 Drilling Contractor Geologic Exploration  
 Drilling Fluid air

Development Technique(s) and Date(s)  
 \_\_\_\_\_  
air and disposable bailer

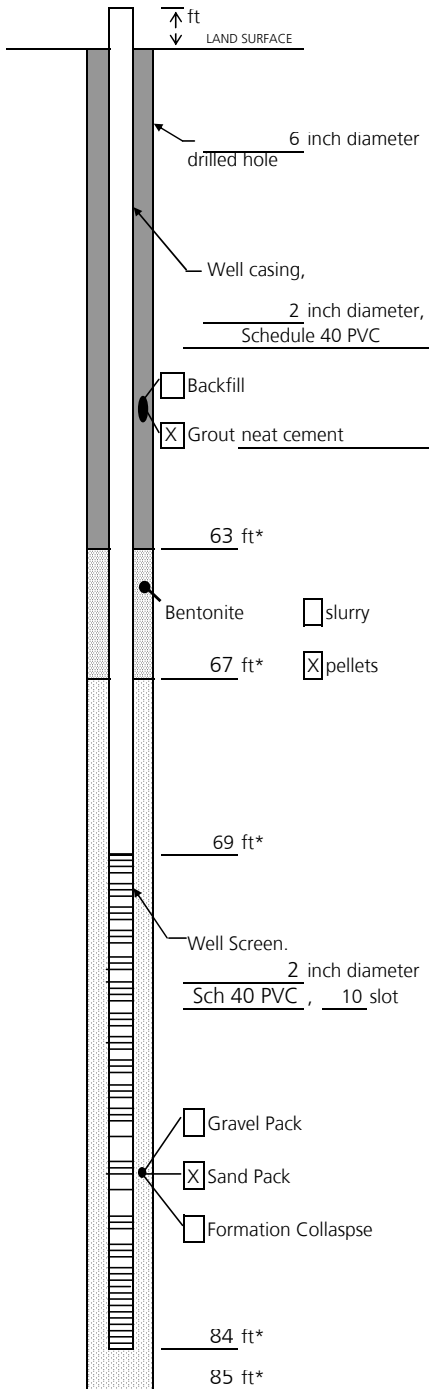
Fluid Loss During Drilling \_\_\_\_\_ gallons  
 Water Removed During Development \_\_\_\_\_ gallons  
 Static Depth to Water \_\_\_\_\_ feet below M.P.  
 Pumping Depth to Water \_\_\_\_\_ feet below M.P.  
 Pumping Duration \_\_\_\_\_ hours  
 Yield \_\_\_\_\_ gpm Date \_\_\_\_\_  
 Specific Capacity \_\_\_\_\_ gpm/ft

Well Purpose monitor well  
 \_\_\_\_\_  
 \_\_\_\_\_  
 Remarks \_\_\_\_\_  
 \_\_\_\_\_  
 \_\_\_\_\_  
 \_\_\_\_\_

Measuring Point is  
 Top of Well Casing  
 Unless Otherwise Noted.  
 \* Depth Below Land Surface

Prepared by Jason Namey





Project UNC Airport Road/Chem Site Well MW-36  
 Town/City Chapel Hill  
 County Orange State NC  
 Permit No. \_\_\_\_\_

Land-Surface Elevation and Datum:  
 \_\_\_\_\_ feet  Surveyed  
 Estimated

Installation Date(s) 7/7/04

Drilling Method air hammer

Drilling Contractor Geologic Exploration

Drilling Fluid air

Development Technique(s) and Date(s)

air and disposable bailer

Fluid Loss During Drilling \_\_\_\_\_ gallons

Water Removed During Development \_\_\_\_\_ gallons

Static Depth to Water \_\_\_\_\_ feet below M.P.

Pumping Depth to Water \_\_\_\_\_ feet below M.P.

Pumping Duration \_\_\_\_\_ hours

Yield \_\_\_\_\_ gpm Date \_\_\_\_\_

Specific Capacity \_\_\_\_\_ gpm/ft

Well Purpose monitor well

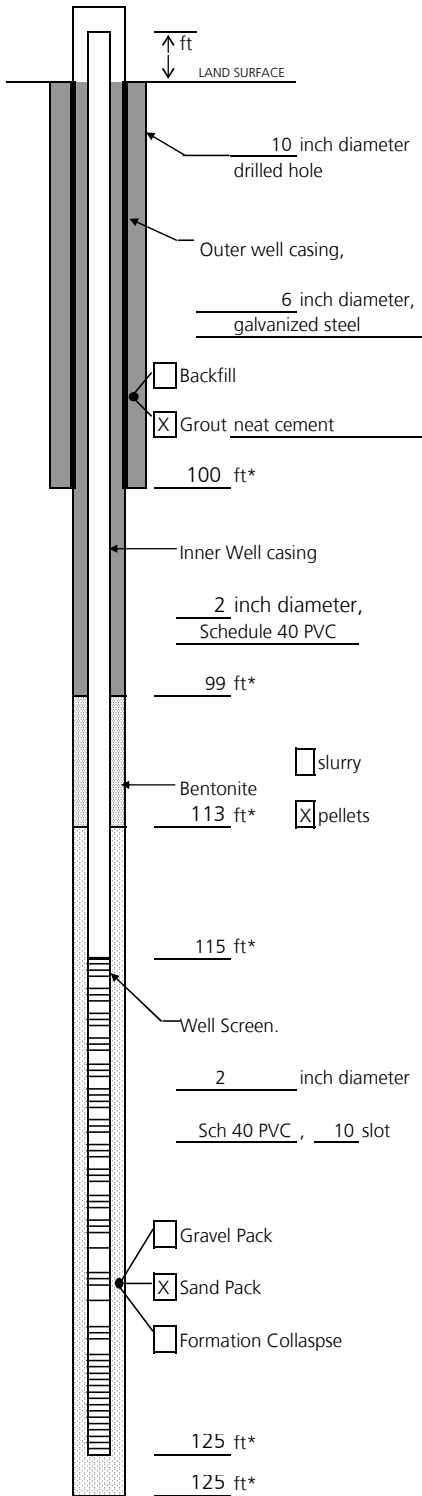
Remarks \_\_\_\_\_

Measuring Point is  
 Top of Well Casing  
 Unless Otherwise Noted.

\* Depth Below Land Surface

Prepared by Jason Namey





Project UNC Airport Road/Chem Site Well MW-37  
 Town/City Chapel Hill  
 County Orange State NC  
 Permit No. \_\_\_\_\_

Land-Surface Elevation and Datum:  
 \_\_\_\_\_ feet  Surveyed  
 Estimated

Installation Date(s) 7/1/2004 - 7/6/2004  
 Drilling Method air hammer

Drilling Contractor Geologic Exploration  
 Drilling Fluid air

Development Technique(s) and Date(s)  
air and disposable bailer

Fluid Loss During Drilling \_\_\_\_\_ gallons  
 Water Removed During Development \_\_\_\_\_ gallons  
 Static Depth to Water \_\_\_\_\_ feet below M.P.  
 Pumping Depth to Water \_\_\_\_\_ feet below M.P.  
 Pumping Duration \_\_\_\_\_ hours  
 Yield \_\_\_\_\_ gpm Date \_\_\_\_\_

Specific Capacity \_\_\_\_\_ gpm/ft

Well Purpose monitor well

Remarks \_\_\_\_\_  
 \_\_\_\_\_  
 \_\_\_\_\_  
 \_\_\_\_\_

Measuring Point is  
 Top of Well Casing  
 Unless Otherwise Noted.

\* Depth Below Land Surface

Prepared by Jason Namey

