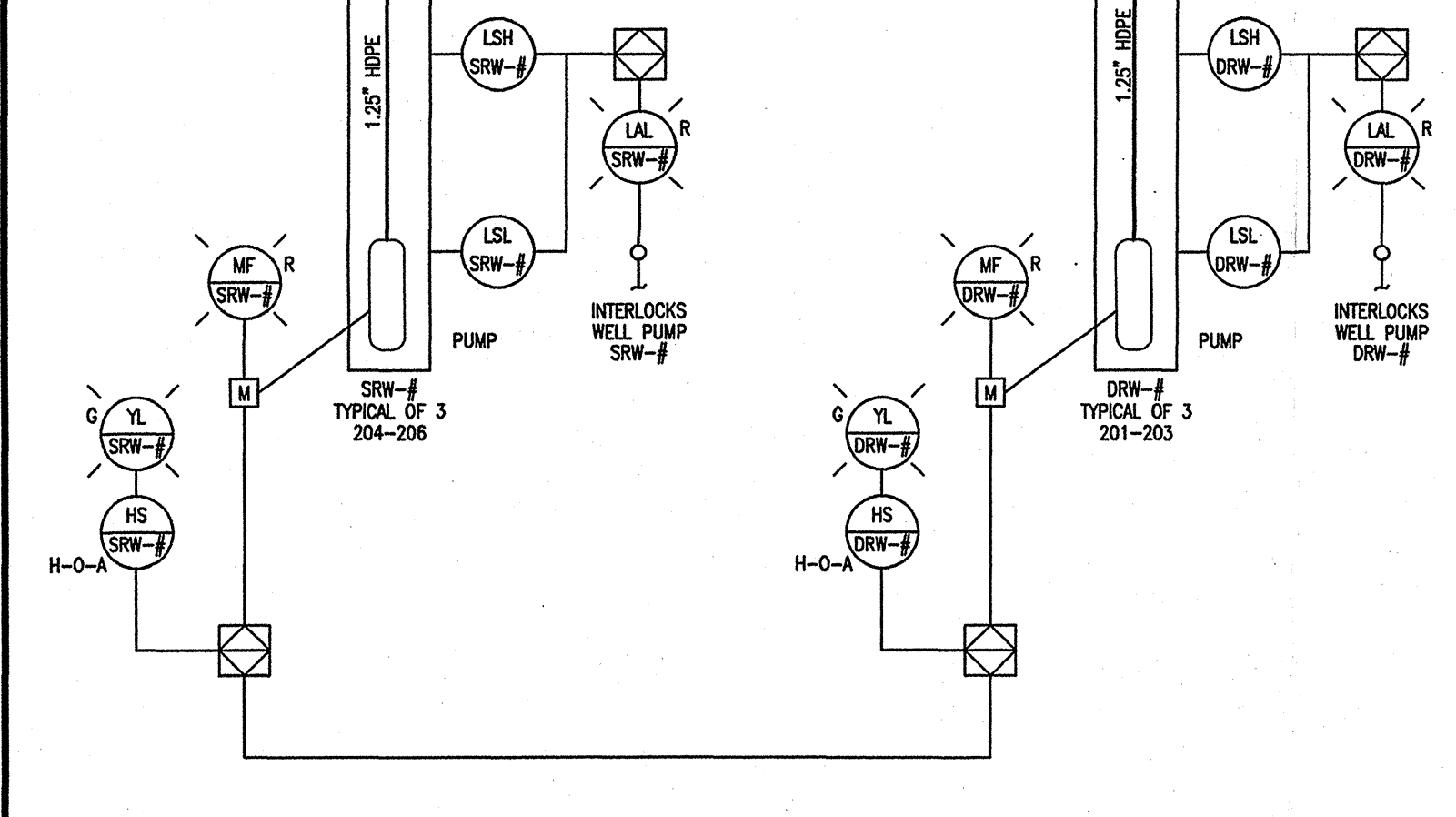
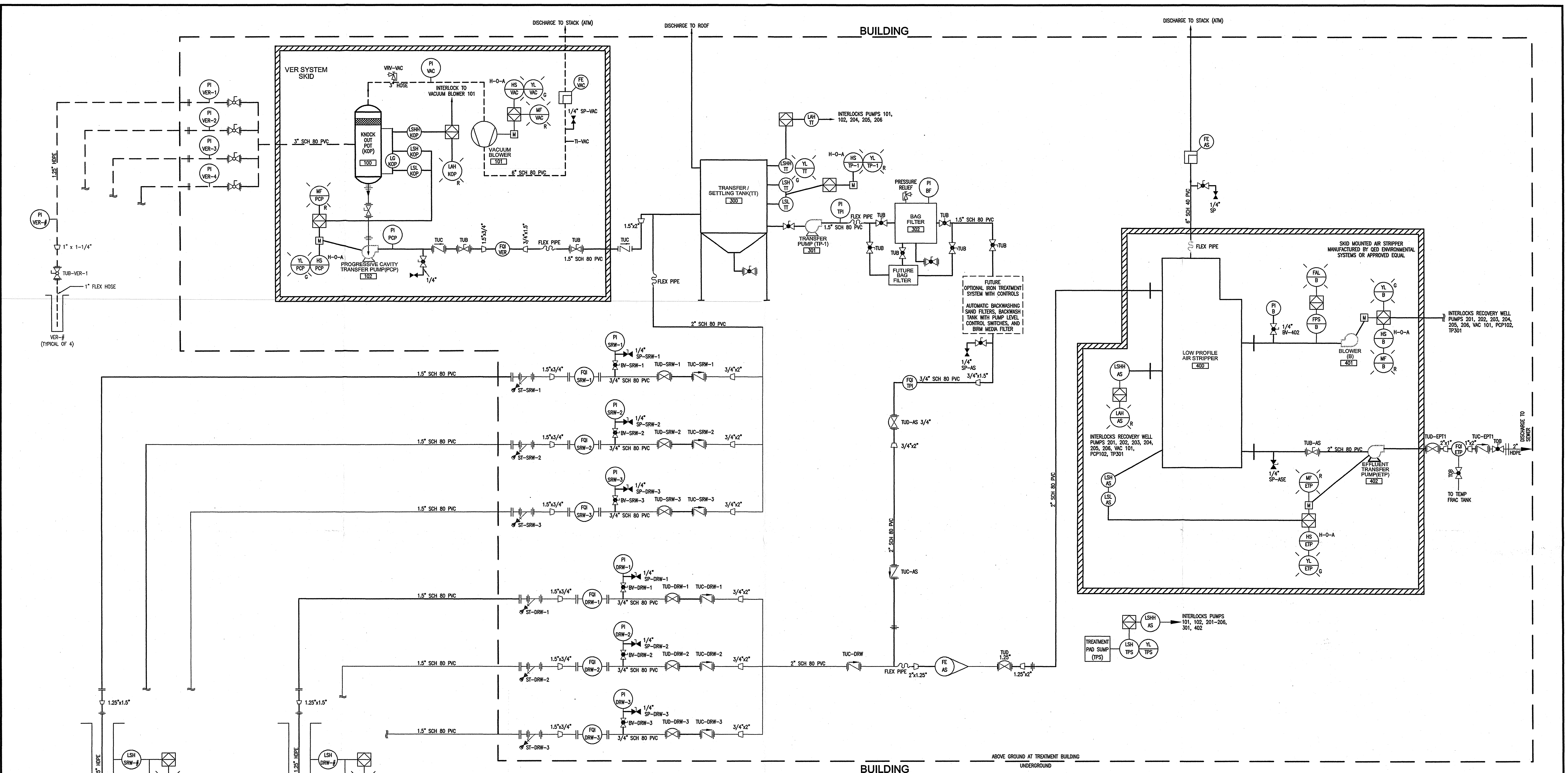


Acad Version : R16.0e (LMS Tech) User Name : sgmink  
 Date Name : Wed, 04 Oct 2006 - 8:28am Current Plotfile : B:\piper\Layout\Tch\ SHEET 5  
 Path Name : C:\ENV\UNIVAC\Impact\Report\Construction\Compilation\Report\Figures\UNIVAC-DWG5.dwg



LEGEND			
---	VAPOR	☒	CONTROL VALVE (GLOBE)
- - -	VAPOR/WATER	☒	GATE VALVE
---	WATER	⊕	1/4" SAMPLE PORT
////	SKID LIMIT	⊕	PRESSURE/VACUUM INDICATOR
---		TUB-VER	TRUE UNION BALL VALVE
---		BY-VER	BALL VALVE
---		TUC-VER	TRUE UNION CHECK VALVE
---		CY-VER	CHECK VALVE
---		☐	UNION
---		☐	FLAT FLANGE
---		TUD-VER	TRUE UNION DIAPHRAGM VALVE
---		⊕	FLOW METER/PITOT TUBE
---		⊕	MOTOR (ELECTRIC)
---		⊕	TOTALIZING FLOW METER
---		⊕	LEVEL GAUGE
---		⊕	AIR FLOW SWITCH
---		⊕	THREE WAY VALVE
---		⊕	CAMLOCK CONNECTION
---		☐	SOLENOID VALVE
---		☐	LEVEL SWITCH-HIGH
---		☐	LEVEL SWITCH HIGH, HIGH
---		☐	LEVEL SWITCH LOW
---		☐	PRESSURE RELIEF VALVE
---		☐	STRAINER

**SCALE VERIFICATION**  
 THIS BAR REPRESENTS ONE INCH ON THE ORIGINAL DRAWING.  
 USE TO VERIFY FIGURE REPRODUCTION SCALE.

REV.	ISSUED DATE	DESCRIPTION	XX	XXX
1	03/12/99	OWNER'S REVIEW	XX	XXX
0	01/19/99	OWNER'S REVIEW	XX	XXX

KEYPLAN  
 SEAL  

 SEAL

**ARCADIS**  
 ARCADIS G&M of North Carolina, Inc.  
 801 Corporate Center Drive, Suite 300  
 Raleigh, NC 27607  
 Tel: 919-854-1282 Fax: 919-854-5448  
 www.arcadis-us.com

**AIRPORT ROAD WASTE DISPOSAL AREA**  
**THE UNIVERSITY OF NORTH CAROLINA AT CHAPEL HILL**  
**CHAPEL HILL, NORTH CAROLINA**

PROJECT MANAGER	TASK MANAGER	LEAD DESIGN PROF.	CHECKED BY
J. SHILLIDAY	A. PINNIX	D. MALONE	C. KALINOWSKI
SHEET TITLE		TASK/PHASE NUMBER	DRAWN BY
AS-BUILT PIPING AND INSTRUMENTATION DIAGRAM		0015	A. PINNIX
		PROJECT NUMBER	DRAWING NUMBER
		NC000239.0015	<b>G-2</b>